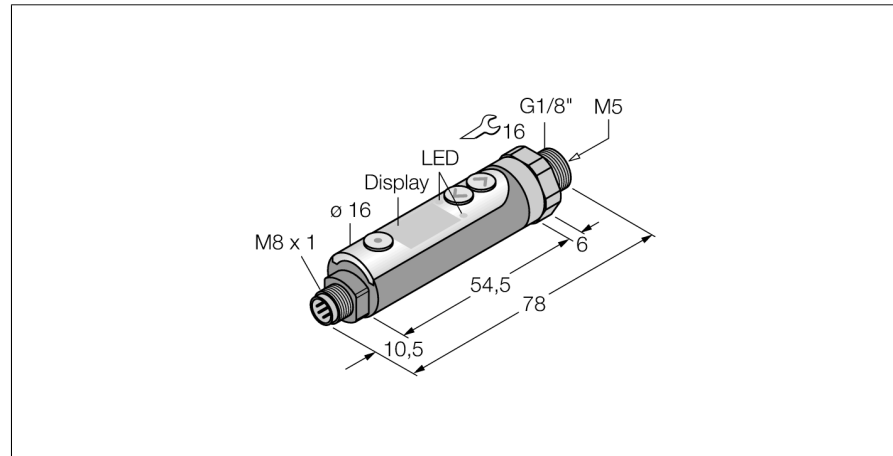
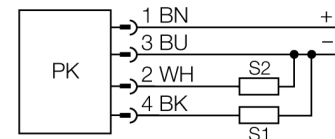


**Pressure sensor**  
**2 PNP transistor switching outputs**  
**PK01VR-P13-2UP8X-V1141**



- Compact design
- Pressure and vacuum monitoring
- Rotatable body
- Display rotatable by 180°
- Excellent EMC properties
- Pressure range -1 ... 0 bar rel.

**Wiring diagram**



**Functional principle**

The pressure transmitters of the PK series operate with a silicon measuring cell. Through the pressure applied on the silicon, a pressure proportional signal is generated and electronically processed. The processed signal is made available as switching output. The sensors are intended only for use in non-aggressive gas and compressed air applications. With lubricated compressed air, the pressure connection should point downwards

<b>Type code</b>	PK01VR-P13-2UP8X-V1141
Ident no.	6833004
<b>Relative pressure</b>	-1...0bar rel.
Operating range	-14.5...0psi
Operating range	-0.1...0MPa
Admissible overpressure	≤ 5 bar
<b>Power supply</b>	
Operating voltage	10.8...30VDC
Protection type and class	IP65
<b>Outputs</b>	
Output 1	switching output
Output 2	switching output
<b>Switching output</b>	
Output function	NO/NC , PNP
Accuracy switching output	± 1 % v. E. BSL
Rated operational current	0.3 A
Switching frequency	≤ 400 Hz
Switching point distance	≥ 0.2 %
Switch point:	0...100 %
<b>Temperature behaviour</b>	
Medium temperature	0...50 °C
Temperature coefficient zero point T <sub>0</sub>	± 0.15 % of full scale / 10 K
Temperature coefficient span T <sub>fs</sub>	± 0.15 % of full scale / 10 K
<b>Ambient conditions</b>	
Ambient temperature	-10...50 °C
Storage temperature	-20...+85°C
Vibration resistance	10...55 Hz 1.5mm, 2h
Shock resistance	10 g (11 ms) , according to IEC 61508
EMC	Emitted interference acc. to EN 61000 EN 61000-6-4*
	Intrinsically safe acc. to EN 61000-6-2*
	* shielded connection cable recommended
<b>Housing</b>	
Housing material	plastic, ABS
Process connection	G 1/8" male thread
Wrench size pressure connection / coupling nut	SW 16
Connection	male, M8 x 1
<b>Reference conditions acc. to IEC 61298-1</b>	
temperature	15...25 °C
Atmospheric pressure	860...1060 hPa abs.
Humidity	45...75 % rel.
Auxiliary power	24 VDC

## Pressure sensor

### 2 PNP transistor switching outputs

### PK01VR-P13-2UP8X-V1141

---

**Display**

Display

3-digit 7-segment display, rotatable by 180°

Switching state

LED red / green

Programming options

switch/release point, hysteresis/window mode, NO/

NC, muting, peak pressure memory

Unit display

LEDs for display of output status report

**Pressure sensor**  
**2 PNP transistor switching outputs**  
**PK01VR-P13-2UP8X-V1141**

**Wiring accessories**

Type code	Ident no.	Description	Dimension drawing
PKG4M-2/TEL	6625061	Connection cable, female M8, straight, 4-pin, cable length: 2 m, sheath material: PVC, black; cULus approval; other cable lengths and qualities available, see <a href="http://www.turck.com">www.turck.com</a>	
PKW4M-2/TEL	6625067	Connection cable, female M8, angled, 4-pin, cable length: 2 m, sheath material: PVC, black; cULus approval; other cable lengths and qualities available, see <a href="http://www.turck.com">www.turck.com</a>	
PKG4M-2/TXL	6625553	Connection cable, female M8, straight, 4-pin, cable length: 2 m, sheath material: PVC, black; cULus approval; other cable lengths and qualities available, see <a href="http://www.turck.com">www.turck.com</a>	
PKW4M-2/TXL	6625559	Connection cable, female M8, angled, 4-pin, cable length: 2 m, sheath material: PVC, black; cULus approval; other cable lengths and qualities available, see <a href="http://www.turck.com">www.turck.com</a>	