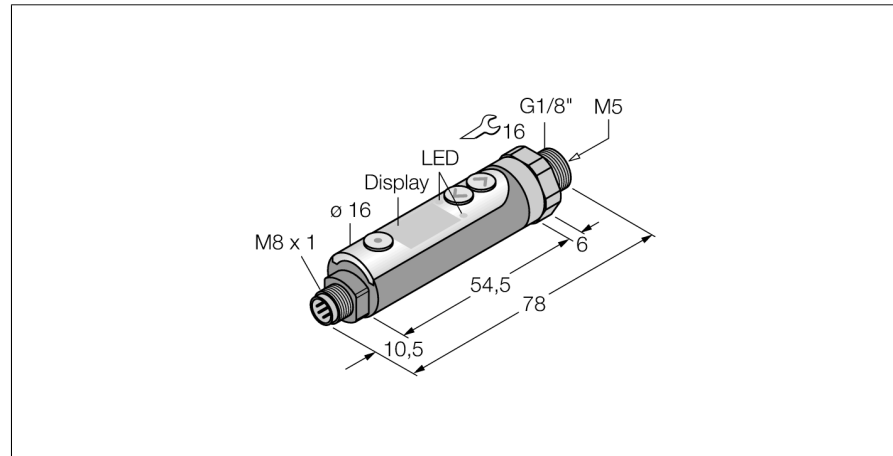
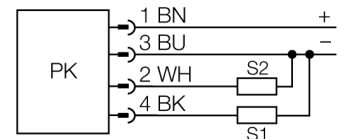


Pressure sensor
2 PNP transistor switching outputs
PK01VR-P14-2UP8X-V1141



- Compact design
- Pressure and vacuum monitoring
- Rotatable body
- Display rotatable by 180°
- Excellent EMC properties
- Pressure range -1 ... 0 bar rel.

Wiring diagram



Functional principle

The pressure transmitters of the PK series operate with a silicon measuring cell. Through the pressure applied on the silicon, a pressure proportional signal is generated and electronically processed. The processed signal is made available as switching output. The sensors are intended only for use in non-aggressive gas and compressed air applications. With lubricated compressed air, the pressure connection should point downwards

Type code	PK01VR-P14-2UP8X-V1141
Ident no.	6833006
Relative pressure	-1...0bar rel.
Operating range	-14.5...0psi
Operating range	-0.1...0MPa
Admissible overpressure	≤ 5 bar
Power supply	
Operating voltage	10.8...30VDC
Protection type and class	IP65
Outputs	
Output 1	switching output
Output 2	switching output
Switching output	
Output function	NO/NC , PNP
Accuracy switching output	± 1 % v. E. BSL
Rated operational current	0.3 A
Switching frequency	≤ 400 Hz
Switching point distance	≥ 0.2 %
Switch point:	0...100 %
Temperature behaviour	
Medium temperature	0...50 °C
Temperature coefficient zero point T ₀	± 0.15 % of full scale / 10 K
Temperature coefficient span T _{fs}	± 0.15 % of full scale / 10 K
Ambient conditions	
Ambient temperature	-10...50 °C
Storage temperature	-20...+85°C
Vibration resistance	10...55 Hz 1.5mm, 2h
Shock resistance	10 g (11 ms) , according to IEC 61508
EMC	Emitted interference acc. to EN 61000 EN 61000-6-4*
	Intrinsically safe acc. to EN 61000-6-2*
	* shielded connection cable recommended
Housing	
Housing material	plastic, ABS
Process connection	NPT 1/8" male thread
Wrench size pressure connection / coupling nut	SW 16
Connection	male, M8 x 1
Reference conditions acc. to IEC 61298-1	
temperature	15...25 °C
Atmospheric pressure	860...1060 hPa abs.
Humidity	45...75 % rel.
Auxiliary power	24 VDC

Pressure sensor
2 PNP transistor switching outputs
PK01VR-P14-2UP8X-V1141

Display

Display	3-digit 7-segment display, rotatable by 180°
Switching state	LED red / green
Programming options	switch/release point, hysteresis/window mode, NO/ NC, muting, peak pressure memory
Unit display	LEDs for display of output status report

Pressure sensor
2 PNP transistor switching outputs
PK01VR-P14-2UP8X-V1141

Wiring accessories

Type code	Ident no.	Description	Dimension drawing
PKG4M-2/TEL	6625061	Connection cable, female M8, straight, 4-pin, cable length: 2 m, sheath material: PVC, black; cULus approval; other cable lengths and qualities available, see www.turck.com	
PKW4M-2/TEL	6625067	Connection cable, female M8, angled, 4-pin, cable length: 2 m, sheath material: PVC, black; cULus approval; other cable lengths and qualities available, see www.turck.com	
PKG4M-2/TXL	6625553	Connection cable, female M8, straight, 4-pin, cable length: 2 m, sheath material: PVC, black; cULus approval; other cable lengths and qualities available, see www.turck.com	
PKW4M-2/TXL	6625559	Connection cable, female M8, angled, 4-pin, cable length: 2 m, sheath material: PVC, black; cULus approval; other cable lengths and qualities available, see www.turck.com	