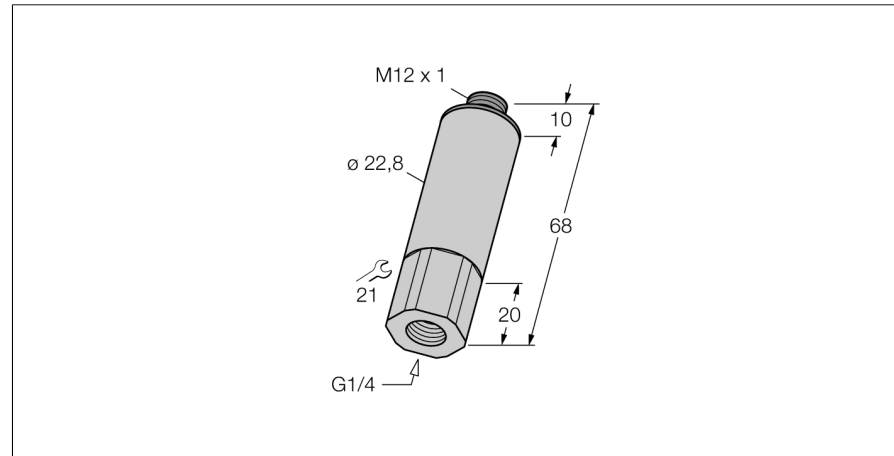


**Pressure transmitter  
with voltage output (3-wire)  
PT040R-11-LU2-H1131**



- Compact and robust design
- Pressure connection with integrated peak pressure aperture
- Minimum influence of temperature on accuracy within the entire temperature range of -40...+125°C
- Excellent EMC properties
- Pressure range 0 ... 40 bar rel.

**Wiring diagram**



**Functional principle**

The pressure transmitters of the PT...-1 series operate with piezo-resistive ceramic measuring cells. The ceramic diaphragm is unbalanced in proportion to the pressure applied. Depending on the sensor type used, the processed signal is provided as an analog output signal 4...20mA (2-wire) or 0...10V (3-wire).

<b>Type code</b>	PT040R-11-LU2-H1131
Ident no.	6831490
<b>Relative pressure</b>	0...40bar rel.
Operating range	0...580.2psi
Operating range	0...4MPa
Admissible overpressure	≤ 100 bar
Burst pressure	≥ 100 bar
<b>Power supply</b>	
Operating voltage	11.4...33VDC
Protective measure	SELV according to EN 50178
Short-circuit/reverse polarity protection	yes/ yes
Protection type and class	IP67/ III
MTTF	760 years acc. to SN 29500 (Ed. 99) 40 °C
<b>Outputs</b>	
Output 1	analog output
<b>Analogue output</b>	
Voltage output	≥0...≤10V
Operating range	0...10 V (3-wire)
Load	≥ 10 kΩ
Accuracy LHR analog output	± 0.3 % of final value BSL
Calibration accuracy 0-point	0.3 % of final value
Calibration accuracy, of final value	0.3 % of final value
Response time	< 3 ms
<b>Temperature behaviour</b>	
Medium temperature	-40...125 °C
Temperature coefficient zero point T <sub>0</sub>	± 0.15 % of full scale / 10 K
Temperature coefficient span T <sub>s</sub>	± 0.15 % of full scale / 10 K
<b>Ambient conditions</b>	
Ambient temperature	-40...85 °C
Storage temperature	-40...+85°C
Vibration resistance	20 x g (9...2000 Hz, 2...9 Hz with an amplitude +/-15 mm), acc. to IEC 68-2-6
Shock resistance	100 g (11 ms) , according to IEC 61508
<b>Housing</b>	
Housing material	stainless-steel/plastic, V2A (1.4305)
material pressure connection	stainless steel A2 1.4305 (AISI 303)
material pressure element	ceramics Al <sub>2</sub> O <sub>3</sub>
Sealing material	FPM
Process connection	G 1/4" female thread
Wrench size pressure connection / coupling nut	SW21
Connection	male, M12 x 1

**Pressure transmitter  
with voltage output (3-wire)  
PT040R-11-LU2-H1131**

**TURCK**

Industrial  
Automation

---

**Reference conditions acc. to IEC 61298-1**

temperature	15...25 °C
Atmospheric pressure	860...1060 hPa abs.
Humidity	45...75 % rel.
Auxiliary power	24 VDC

**Pressure transmitter  
with voltage output (3-wire)  
PT040R-11-LU2-H1131**

**Wiring accessories**

Type code	Ident no.	Description	Dimension drawing
RKC4.4T-2/TEL	6625013	Connection cable, female M12, straight, 4-pin, cable length: 2 m, sheath material: PVC, black; cULus approval; other cable lengths and qualities available, see <a href="http://www.turck.com">www.turck.com</a>	
WKC4.4T-2/TEL	6625025	Connection cable, female M12, angled, 4-pin, cable length: 2 m, sheath material: PVC, black; cULus approval; other cable lengths and qualities available, see <a href="http://www.turck.com">www.turck.com</a>	
RKC4.4T-2/TXL	6625503	Connection cable, female M12, straight, 4-pin, cable length: 2 m, sheath material: PUR, black; cULus approval; other cable lengths and qualities available, see <a href="http://www.turck.com">www.turck.com</a>	
WKC4.4T-2/TXL	6625515	Connection cable, female M12, angled, 4-pin, cable length: 2 m, sheath material: PUR, black; cULus approval; other cable lengths and qualities available, see <a href="http://www.turck.com">www.turck.com</a>	