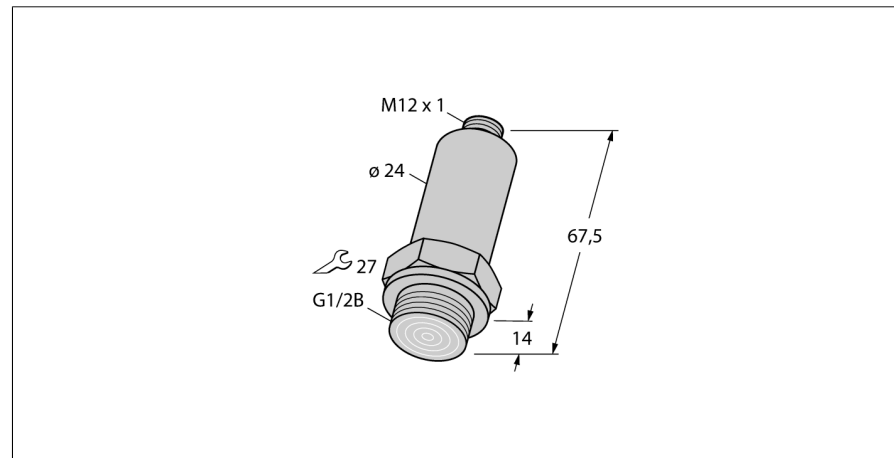
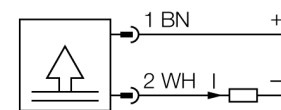


**Pressure transmitter, front-flush
with current output (2-wire)
PT160R-29-LI3-H1140**



- Compact and robust design
- Pressure connection with front-flush mounted diaphragm (stainless steel)
- Minimum influence of ambient temperature on accuracy within the entire temperature range.
- Excellent EMC properties
- Pressure range 0 ... 160 bar rel.

Wiring diagram



Functional principle

The pressure transmitters of the PT ...-2 series operate with thin-film measuring cells. The pressure port is directly welded to the transmitter. The voltage produced is made available as analog output signal, 4...20 mA (2-wire).

Type code	PT160R-29-LI3-H1140
Ident no.	6831560
Relative pressure	
Operating range	0...160bar rel.
Operating range	0...2321psi
Operating range	0...16MPa
Admissible overpressure	≤ 320 bar
Burst pressure	≥ 640 bar
Power supply	
Operating voltage	9...30VDC
No-load current I ₀	≤ 4 mA
Protective measure	SELV according to EN 50178
Short-circuit/reverse polarity protection	yes/ yes
Protection type and class	IP67/ III
Outputs	
Output 1	analog output
Analogue output	
Current output	4...20mA
Operating range	4...20 mA (2-wire)
Load	≤ 1.2 kΩ
Accuracy LHR analog output	± 0.5 % of final value BSL
Response time	< 1 ms
Temperature behaviour	
Medium temperature	-25...85 °C
Temperature coefficient zero point T ₀	± 0.2 % of full scale / 10 K
Temperature coefficient span T _{is}	± 0.3 % of full scale / 10 K
Ambient conditions	
Ambient temperature	-25...85 °C
Storage temperature	-25...+85°C
Vibration resistance	3 x g (5-500-5 Hz, 10 cycles per axis, 1 oct/min), acc. to IEC 68-2-6
Shock resistance	30 g (11 ms) , according to IEC 61508
Housing	
Housing material	stainless steel, 1.4435 (316L)
material pressure connection	stainless steel A4 1.4435 (AISI 316L)
material pressure element	1.4548 (AISI 17-4PH)
Process connection	G ½" front-flush
Wrench size pressure connection / coupling nut	SW27
Connection	male, M12 x 1

**Pressure transmitter, front-flush
with current output (2-wire)
PT160R-29-LI3-H1140**

Reference conditions acc. to IEC 61298-1

temperature	15...25 °C
Atmospheric pressure	860...1060 hPa abs.
Humidity	45...75 % rel.
Auxiliary power	24 VDC

**Pressure transmitter, front-flush
with current output (2-wire)
PT160R-29-LI3-H1140**

Wiring accessories

Type code	Ident no.	Description	Dimension drawing
RKC4.4T-2/TEL	6625013	Connection cable, female M12, straight, 4-pin, cable length: 2 m, sheath material: PVC, black; cULus approval; other cable lengths and qualities available, see www.turck.com	
WKC4.4T-2/TEL	6625025	Connection cable, female M12, angled, 4-pin, cable length: 2 m, sheath material: PVC, black; cULus approval; other cable lengths and qualities available, see www.turck.com	
RKC4.4T-2/TXL	6625503	Connection cable, female M12, straight, 4-pin, cable length: 2 m, sheath material: PUR, black; cULus approval; other cable lengths and qualities available, see www.turck.com	
WKC4.4T-2/TXL	6625515	Connection cable, female M12, angled, 4-pin, cable length: 2 m, sheath material: PUR, black; cULus approval; other cable lengths and qualities available, see www.turck.com	