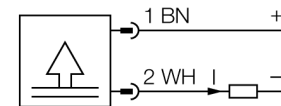


**Temperature measurement
miniature transmitter with integrated probe
TTM150C-206A-G1/2-LI6-H1140-L250 -50...150°C**

- Miniature design
- Analog output 4...20 mA
- Process connection G1/2" male thread

Wiring diagram

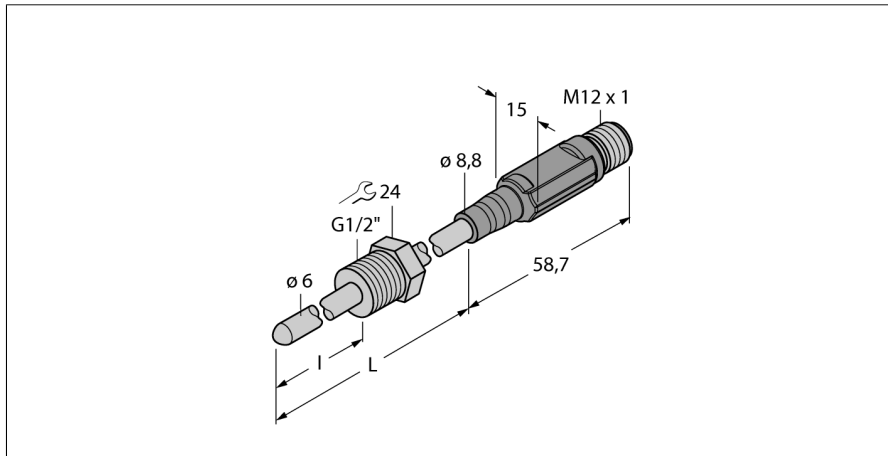


General description

The TTM miniature transmitters are available with integrated probe.

Due to the integrated electronics, the limited temperature range must be observed, especially in the area of the M12 connector.

The LI6 type provides an analog output signal (2-wire, 4...20mA).



Type code	TTM150C-206A-G1/2-LI6-H1140-L250 -50...150°C
Ident no.	9910736
Temperature range	-50...150 °C
Temperature operating range	-58...302°F
Measuring element	Pt-100 platinum measuring element, DIN EN 60751
Accuracy	Class A
Response time	t0.5 = 6 s/ t0.9 = 15 s in water at 0.2 m/s
Immersion depth (L)	250 mm
Power supply	
Operating voltage	10...24VDC
No-load current I ₀	≤ 20 mA
Short-circuit/reverse polarity protection	yes/ yes
Protection type and class	IP67/ III
Outputs	
Output 1	analog output
Analogue output	
Operating range	4...20 mA (2-wire)
Load	≤ 700 kΩ
Accuracy (Lin. + Hys. + Rep.)	± 0.2 K
Temperature behaviour	
Temperature coefficient zero point T ₀	± 0.1 % of full scale / 10 K
Temperature coefficient span T _{IS}	± 0.1 % of full scale / 10 K
Ambient conditions	
Ambient temperature	-40...80 °C
Storage temperature	-40...+80°C
Pressure resistance	100 bar
Housing	
Housing material	stainless-steel/plastic, V4A (1.4404)
Sensor material	stainless steel, AISI 316L
Process connection	G 1/2" male thread
Connection	male, M12 x 1
Pressure resistance	100 bar
Reference conditions acc. to IEC 61298-1	
temperature	15...25 °C
Atmospheric pressure	860...1060 hPa abs.
Humidity	45...75 % rel.
Auxiliary power	24 VDC