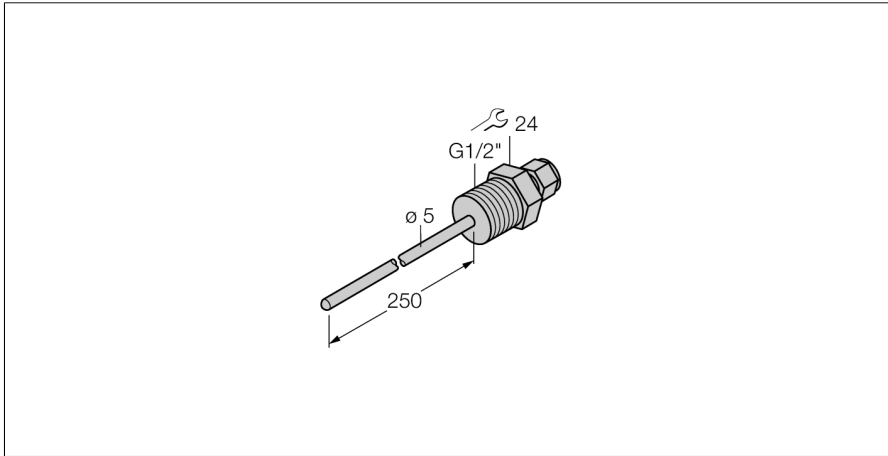


**Temperature measurement
Accessories thermowell
THW-3-G1/2-A4-L250**

- Thermowell for mounting TS203 probes
- Process connection G1/2" male thread

General description

Thermowells are used for unpressurized mounting of probes. They protect the probes against direct contact with the medium. The probe can be replaced without interrupting the process.



| | |
|------------------------------------|--|
| Type code | THW-3-G1/2-A4-L250 |
| Ident no. | 9910446 |
| Temperature range | -50...350 °C |
| Temperature operating range | -58...662 °F |
| Immersion depth (L) | 250 mm |
| Pressure resistance | 400 bar |
| Housing | |
| Housing material | stainless steel 1.4404 (AISI 316L), V4A (1.4404) |
| Sealing material | stainless steel |
| Process connection | G 1/2" male thread |
| Pressure resistance | 400 bar |
| Max. tightening torque housing nut | 100 Nm |