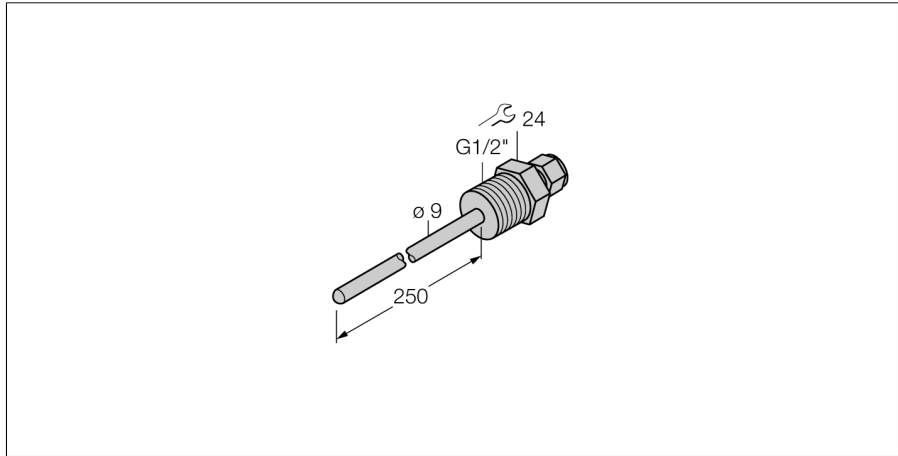


**Temperature measurement
Accessories thermowell
THW-6-G1/2-A4-L250**



- Thermowell for temperature probes (6 mm diameter, TP series)
- Process connection G1/2" male thread

General description

Thermowells protect the probes against aggressive substances and high pressures. The probes do not come into contact with any media. They can be replaced without interrupting the process.

Type code	THW-6-G1/2-A4-L250
Ident no.	9910462
Temperature range	-50...350 °C
Temperature operating range	-58...662 °F
Immersion depth (L)	250 mm
Pressure resistance	400 bar
Housing	
Housing material	stainless steel 1.4404 (AISI 316L), V4A (1.4404)
Sealing material	stainless steel
Process connection	G 1/2" male thread
Pressure resistance	400 bar
Max. tightening torque housing nut	100 Nm