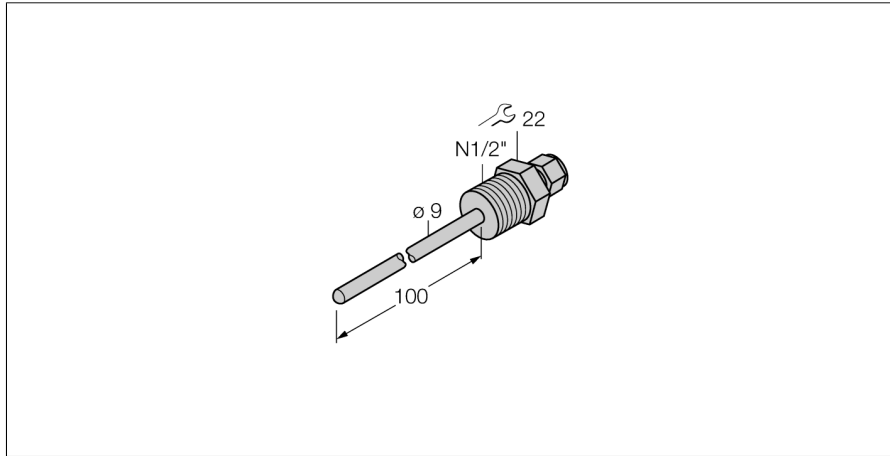


**Temperature measurement**  
**Accessories thermowell**  
**THW-6-N1/2-A4-L100**



- Thermowell for temperature probes (6 mm diameter, TP series)
- Process connection 1/2" NPT male thread

**General description**

Thermowells protect the probes against aggressive substances and high pressures. The probes do not come into contact with any media. They can be replaced without interrupting the process.

<b>Type code</b>	THW-6-N1/2-A4-L100
Ident no.	9910464
<b>Temperature range</b>	-50...350 °C
Temperature operating range	-58...662 °F
Immersion depth (L)	100 mm
<b>Pressure resistance</b>	400 bar
<b>Housing</b>	
Housing material	stainless steel 1.4404 (AISI 316L), V4A (1.4404)
Sealing material	stainless steel
Process connection	NPT 1/2"
Pressure resistance	400 bar
Max. tightening torque housing nut	100 Nm