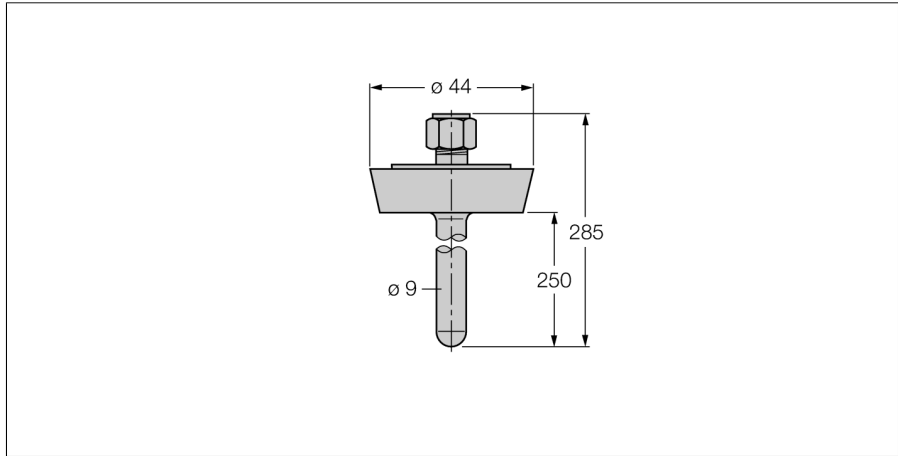


**Temperature measurement
Accessories thermowell
THW-6-DN25K-A4-L250**



- Thermowell for temperature probes (6 mm diameter, TP series)
- For use in food and pharmaceutical applications
- Surface roughness Ra > 0.8 µm

General description

Thermowells protect the probes against aggressive substances and high pressures. The probes do not come into contact with any media. They can be replaced without interrupting the process.

| | |
|------------------------------------|--|
| Type code | THW-6-DN25K-A4-L250 |
| Ident no. | 9910473 |
| Temperature range | -50...350 °C |
| Temperature operating range | -58...662 °F |
| Immersion depth (L) | 250 mm |
| Pressure resistance | 40 bar |
| Housing | |
| Housing material | stainless steel 1.4404 (AISI 316L), V4A (1.4404) |
| Sealing material | stainless steel |
| Process connection | Threaded tube connection per DIN11851 |
| Pressure resistance | 40 bar |
| Max. tightening torque housing nut | 100 Nm |