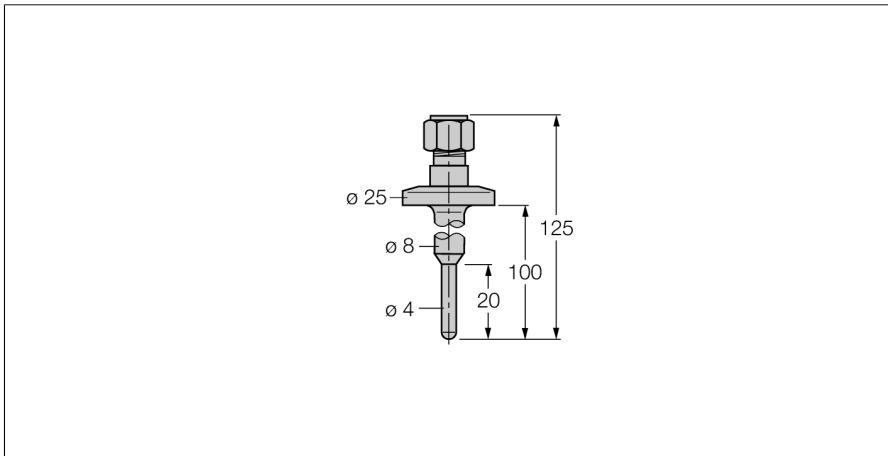


**Temperature measurement
Accessories thermowell
THW-3-TRI3/4-A4-L100**

- Thermowell for mounting TS203 probes
- For use in food and pharmaceutical applications
- Surface roughness Ra > 0.8 µm

General description

Thermowells are used for unpressurized mounting of probes. They protect the probes against direct contact with the medium. The probe can be replaced without interrupting the process.



Type code	THW-3-TRI3/4-A4-L100
Ident no.	9910434
Temperature range	-50...350 °C
Temperature operating range	-58...662°F
Immersion depth (L)	100 mm
Pressure resistance	40 bar
Housing	
Housing material	stainless steel 1.4404 (AISI 316L), V4A (1.4404)
Sealing material	stainless steel
Process connection	Tri-Clamp ¾"
Pressure resistance	40 bar
Max. tightening torque housing nut	100 Nm