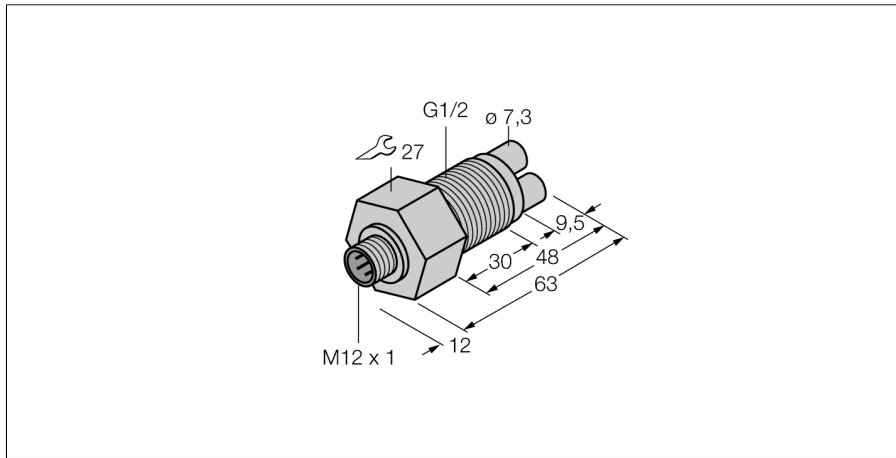
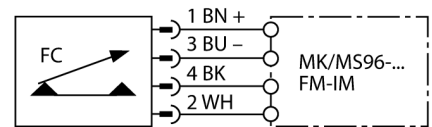


**Flow sensor**  
**Immersion sensor without integrated processor**  
**FCS-GL1/2A2-NA-H1141/A**



- Flow sensor for gaseous media
- Calorimetric principle
- Adjustment via potentiometer on processor
- Status indicated via LED chain on signal processor
- Plug-in device, M12 x 1
- 4-wire connection to the processor

**Wiring diagram**



<b>Type code</b>	FCS-GL1/2A2-NA-H1141/A
Ident no.	6870404
<b>Air operating range</b>	0.5...30 m/s
Stand-by time	10...90 s
Switch-on time	2...30 s
Switch-off time	5...30 s
Temperature jump, response time	max. 60 s
Temperature gradient	≤ 20 K/min
Medium temperature	- 20...80 °C
<b>Protection class</b>	IP67
<b>Housing material</b>	stainless steel, V2A (1.4305)
Sensor material	stainless steel, AISI 303
Max. tightening torque housing nut	100 Nm
Connection	male, M12 x 1
Pressure resistance	30 bar
Process connection	G 1/2" long

**Functional principle**

Our insertion - flow sensors operate on the principle of thermodynamics. The measuring probe is heated by several °C as against the flow medium. When fluid moves along the probe, the heat generated in the probe is dissipated. The resulting temperature is measured and compared to the medium temperature. The flow status of every medium can be derived from the evaluated temperature difference. Thus TURCK's wear-free flow sensors reliably monitor the flow of gaseous and liquid media.

**Flow sensor**  
**Immersion sensor without integrated processor**  
**FCS-GL1/2A2-NA-H1141/A**

**Wiring accessories**

Type code	Ident no.	Description	Dimension drawing
RKC4.4T-2/TXL	6625503	Connection cable, female M12, straight, 4-pin, cable length: 2 m, sheath material: PUR, black; cULus approval; other cable lengths and qualities available, see <a href="http://www.turck.com">www.turck.com</a>	
WKC4.4T-2/TXL	6625515	Connection cable, female M12, angled, 4-pin, cable length: 2 m, sheath material: PUR, black; cULus approval; other cable lengths and qualities available, see <a href="http://www.turck.com">www.turck.com</a>	
RKC4.4T-2/TEL	6625013	Connection cable, female M12, straight, 4-pin, cable length: 2 m, sheath material: PVC, black; cULus approval; other cable lengths and qualities available, see <a href="http://www.turck.com">www.turck.com</a>	
WKC4.4T-2/TEL	6625025	Connection cable, female M12, angled, 4-pin, cable length: 2 m, sheath material: PVC, black; cULus approval; other cable lengths and qualities available, see <a href="http://www.turck.com">www.turck.com</a>	