



CONTACTOR 3-PH 11 KW / 400 V,  
220 V AC 60 HZ, 3-POLE, SIZE S0,  
SCREW CONNECTION STANDING MOUNTING POSITION

### General technical data:

<b>product brand name</b>		SIRIUS
<b>Size of the contactor</b>		S0
<b>Protection class IP / on the front</b>		IP20
<b>Degree of pollution</b>		3
<b>Installation altitude / at a height over sea level / maximum</b>	m	2,000
<b>Ambient temperature / during operating</b>	°C	-25 ... +60
<b>Mechanical operating cycles as operating time</b>		
<ul style="list-style-type: none"> <li>• of the contactor / typical</li> </ul>		10,000,000
<ul style="list-style-type: none"> <li>• of the contactor with added auxiliary switch block / typical</li> </ul>		10,000,000
<ul style="list-style-type: none"> <li>• of the contactor with added electronics-compatible auxiliary switch block / typical</li> </ul>		5,000,000

### Main circuit:

<b>Number of NC contacts / for main contacts</b>		0
<b>Number of NO contacts / for main contacts</b>		3
<b>Operating current</b>		
<ul style="list-style-type: none"> <li>• at AC-1 / at 400 V <ul style="list-style-type: none"> <li>• at 40 °C ambient temperature / rated value</li> </ul> </li> </ul>	A	40
<ul style="list-style-type: none"> <li>• at AC-3 / at 400 V / rated value</li> </ul>	A	25
<ul style="list-style-type: none"> <li>• at AC-4 / at 400 V / rated value</li> </ul>	A	15.5

• with 1 current path / at DC-1	A	35
• at 24 V / rated value	A	4.5
• at 110 V / rated value		
• with 2 current paths in series / at DC-1	A	35
• at 24 V / rated value	A	35
• at 110 V / rated value		
• with 3 current paths in series / at DC-1	A	35
• at 24 V / rated value	A	35
• at 110 V / rated value		
• with 1 current path / at DC-3 / at DC-5	A	20
• at 24 V / rated value	A	2.5
• at 110 V / rated value		
• with 2 current paths in series / at DC-3 / at DC-5	A	35
• at 24 V / rated value	A	15
• at 110 V / rated value		
• with 3 current paths in series / at DC-3 / at DC-5	A	35
• at 24 V / rated value	A	35
• at 110 V / rated value		
<b>Service power</b>		
• at AC-2 / at 400 V / rated value	kW	11
• at AC-3 / at 400 V / rated value	kW	11
• at AC-4 / at 400 V / rated value	W	7,500

#### Control circuit:

<b>Voltage type / of control feed voltage</b>		AC
<b>Operating range factor control supply voltage rated value / of the magnet coil</b>		
• at 60 Hz		
• for AC		0.8 ... 1.1
<b>Apparent pull-in power / of the solenoid / for AC</b>	V·A	69
<b>Apparent holding power / of the solenoid / for AC</b>	V·A	7.5
<b>Inductive power factor / with the pull-in power of the coil</b>		0.76
<b>Inductive power factor / with the pull-in power of the coil</b>		0.28

#### Auxiliary circuit:

<b>Contact reliability / of the auxiliary contacts</b>		1 faulty switching per 100 million (17 V, 1 mA)
<b>Number of NC contacts / for auxiliary contacts / instantaneous switching</b>		0
<b>Number of NO contacts / for auxiliary contacts / instantaneous switching</b>		0

#### Short-circuit:

<b>Design of the fuse link</b>	<ul style="list-style-type: none"> <li>• for short-circuit protection of the auxiliary switch / required</li> </ul>	fuse gL/gG: 10 A
	<ul style="list-style-type: none"> <li>• for short-circuit protection of the main circuit</li> </ul>	fuse gL/gG: 100 A
	<ul style="list-style-type: none"> <li>• with type of assignment 1 / required</li> <li>• at type of coordination 2 / required</li> </ul>	fuse gL/gG: 35 A

### Installation/mounting/dimensions:

<b>Mounting type</b>		screw and snap-on mounting onto 35 mm standard mounting rail according to DIN EN 50022
<b>series installation</b>		Yes
<b>Width</b>	mm	45
<b>Height</b>	mm	85
<b>Depth</b>	mm	91
<b>Distance, to be maintained, to earthed part / sideways</b>	mm	6

### Connection type:

<b>Design of the electrical connection</b>		<ul style="list-style-type: none"> <li>• for main current circuit</li> <li>• for auxiliary and control current circuit</li> </ul>	<p>screw-type terminals</p> <p>screw-type terminals</p>
<b>Type of the connectable conductor cross-section</b>		<ul style="list-style-type: none"> <li>• for main contacts <ul style="list-style-type: none"> <li>• solid</li> <li>• finely stranded <ul style="list-style-type: none"> <li>• with conductor end processing</li> </ul> </li> </ul> </li> <li>• for AWG conductors / for main contacts</li> <li>• for auxiliary contacts <ul style="list-style-type: none"> <li>• solid</li> <li>• finely stranded <ul style="list-style-type: none"> <li>• with conductor end processing</li> </ul> </li> </ul> </li> <li>• for AWG conductors / for auxiliary contacts</li> </ul>	<p>2x (1 ... 2.5 mm<sup>2</sup>), 2x (2.5 ... 6 mm<sup>2</sup>), max. 2x 10 mm<sup>2</sup></p> <p>2x (1 ... 2.5 mm<sup>2</sup>), 2x (2.5 ... 6 mm<sup>2</sup>)</p> <p>2x (20 ... 16), 2x (18 ... 14), 1x 12</p> <p>2x (0.5 ... 1.5 mm<sup>2</sup>), 2x (0.75 ... 2.5 mm<sup>2</sup>), max. 2x (0.75 ... 4 mm<sup>2</sup>)</p> <p>2x (0.5 ... 1.5 mm<sup>2</sup>), 2x (0.75 ... 2.5 mm<sup>2</sup>)</p> <p>2x (20 ... 16), 2x (18 ... 14), 1x 12</p>

### Certificates/approvals:

<b>General Product Approval</b>	<b>Functional Safety / Safety of Machinery</b>	<b>Declaration of Conformity</b>	<b>Test Certificates</b>	
---------------------------------	--	----------------------------------	--------------------------	--



[Type Examination](#)



EG-Konf.

[Special Test Certificate](#)

[Type Test Certificates/Test Report](#)

**Shipping Approval**



ABS



DNV



GL



LRS



RINA



RMRS

**other**

[Confirmation](#)

[other](#)

[Environmental Confirmations](#)

**Further information:**

**Information- and Downloadcenter (Catalogs, Brochures,...)**

<http://www.siemens.com/industrial-controls/catalogs>

**Industry Mall (Online ordering system)**

<http://www.siemens.com/industrial-controls/mall>

**Cax online generator:**

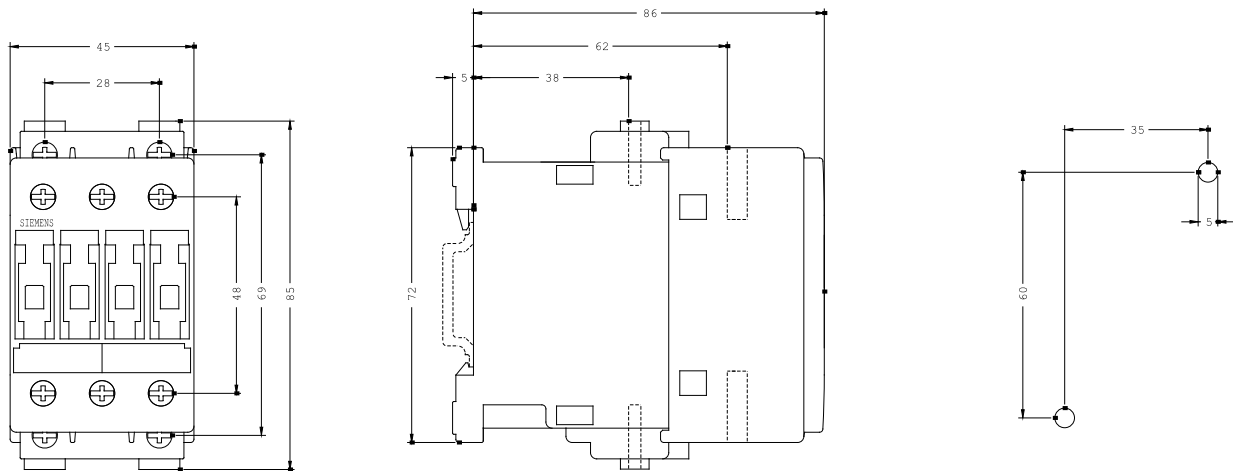
<http://www.siemens.com/cax>

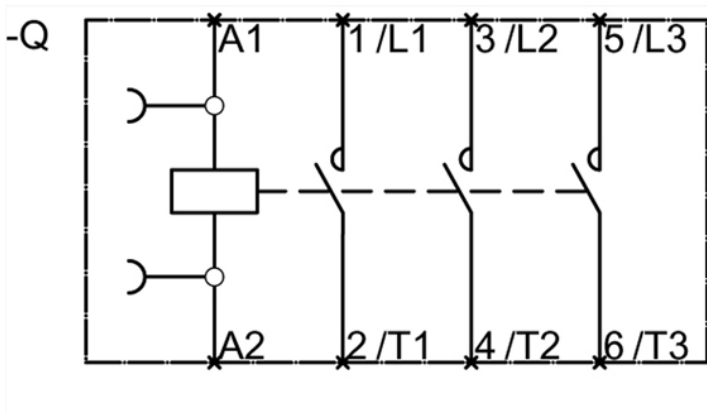
**Service&Support (Manuals, Certificates, Characteristics, FAQs,...)**

<http://support.automation.siemens.com/WW/view/en/3RT1026-1AN10-1AA0/all>

**Image database (product images, 2D dimension drawings, 3D models, device circuit diagrams, ...)**

[http://www.automation.siemens.com/bilddb/cax\\_en.aspx?mlfb=3RT1026-1AN10-1AA0](http://www.automation.siemens.com/bilddb/cax_en.aspx?mlfb=3RT1026-1AN10-1AA0)





last change:

Jul 28, 2014