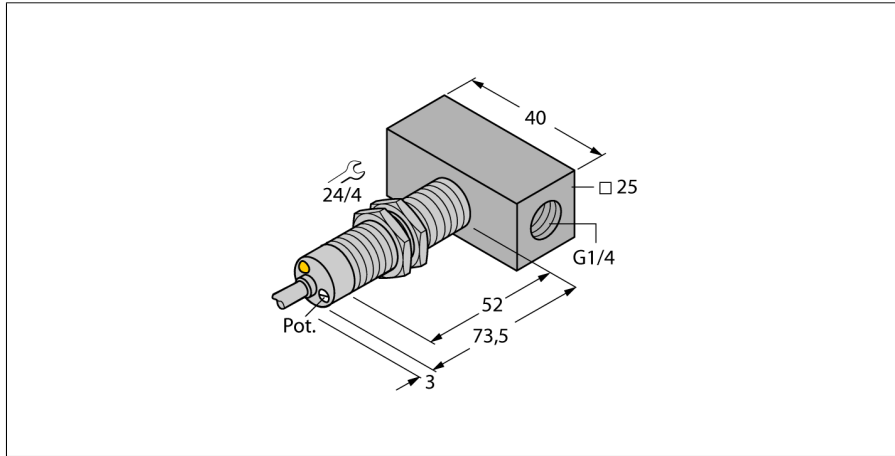
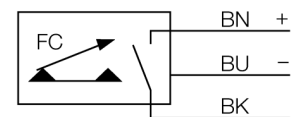


Flow sensor
Inline sensor with integrated processor
FCS-M18-AP8X/D041 5M



- Flow sensor for gaseous media
- Calorimetric principle
- Adjustment via potentiometer
- Status display via 2-color LED
- Chrome-plated brass sensor
- 3-wire DC, 19.2...28.8 VDC
- NO contact, PNP output
- Cable device

Wiring diagram



Functional principle

The function of the inline flow sensors is based on the thermo-dynamic principle. Heat is generated in a measuring tube and absorbed by the flowing medium. The transported heat loss is thus a measure of the flow speed. Thus TURCK's wear-free flow sensors reliably monitor the flow of gaseous and liquid media. A low pressure drop and fast response to flow rate variations are the outstanding features of these devices.

Type code	FCS-M18-AP8X/D041 5M
Ident no.	6870718
Air operating range	0.5...15 m/s
Switch-on time	typ. 2 s (1...20 s)
Switch-off time	typ. 2 s (1...20 s)
Temperature gradient	≤ 200 K/min
Medium temperature	- 20...70 °C
Operating voltage	19.2...28.8VDC
No-load current I ₀	≤ 70 mA
Output function	PNP, NO contact
Rated operational current	0.4 A
Short-circuit protection	yes
Reverse polarity protection	yes
Protection class	IP67
Housing material	metal, CuZn
Sensor material	brass, brass, nickel-plated
Connection	cable
Cable length	5 m
Cable cross section	3 x 0.5 mm ²
Pressure resistance	3 bar
Process connection	G 1/4" Inline
Switching state	2-color LED red / green