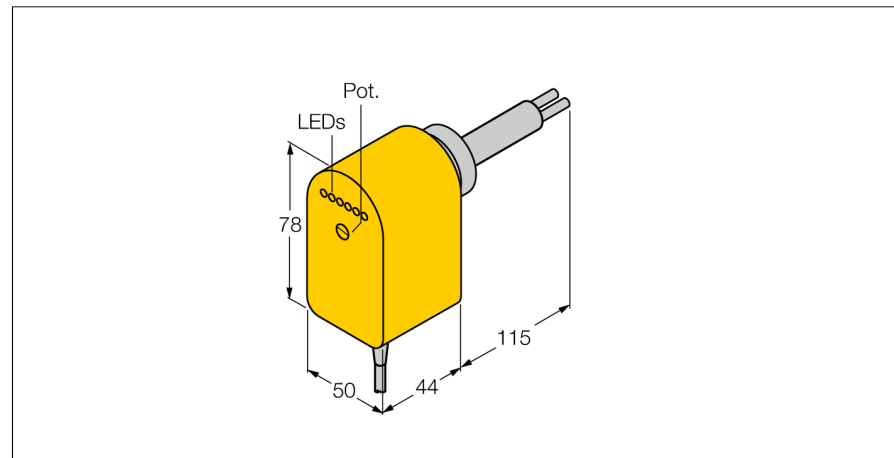
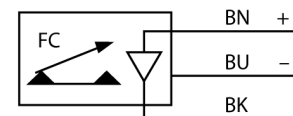


Flow sensor
Immersion sensor with integrated processor
FCS-HA2P-LIX/AL115



- Sensor for gaseous media
- Calorimetric principle
- Adjustments via potentiometer
- Sensor length 115 mm
- 3-wire DC, 21...26 VDC
- 4...20 mA analog output

Wiring diagram



Functional principle

Our insertion - flow sensors operate on the principle of thermodynamics. The measuring probe is heated by several °C as against the flow medium. When fluid moves along the probe, the heat generated in the probe is dissipated. The resulting temperature is measured and compared to the medium temperature. The flow status of every medium can be derived from the evaluated temperature difference. Thus TURCK's wear-free flow sensors reliably monitor the flow of gaseous and liquid media.

Type code	FCS-HA2P-LIX/AL115
Ident no.	6870722
Air operating range	0.5...30 m/s
Stand-by time	20...90 s
Setting time	4...30 s
Temperature jump, response time	max. 100 s
Temperature gradient	≤ 20 K/min
Medium temperature	-20...80 °C
Operating voltage	21...26VDC
No-load current I ₀	≤ 80 mA
Output function	analog output
Short-circuit protection	yes
Reverse polarity protection	yes
Current output	4...20mA
Load	≤ 500 Ω
Protection class	IP67
Housing material	plastic, PBT
Sensor material	stainless steel, AISI 303
Max. tightening torque housing nut	100 Nm
Connection	cable
Cable length	2 m
Cable cross section	3 x 0.5 mm ²
Pressure resistance	3 bar
Process connection	G 1" female thread acc. to DIN 3852
Flow state display	LED chain, red (1x), green (5x)
Power on display	LED, green
LED display	red = 4 mA 1x green > 4 mA 2x green > 8 mA 3x green > 12 mA 4x green > 16 mA 5x green = 20 mA

