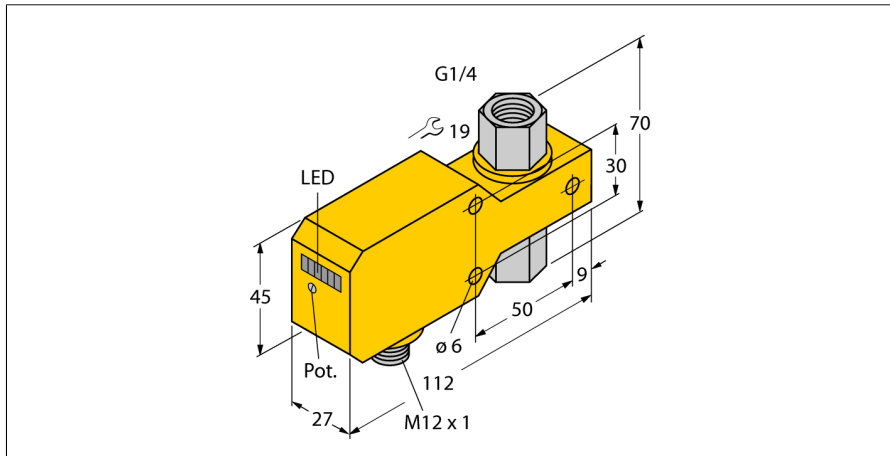
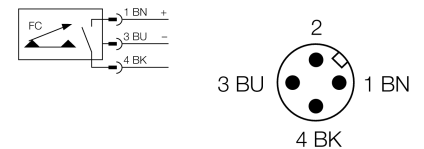


**Flow sensor**  
**Inline sensor with integrated processor**  
**FCI-D06CTP-AP8X-H1141**



- Flow sensor for liquid media
- Calorimetric principle
- Adjustment via potentiometer
- LED band
- Operating range 0.02...3 l/min
- Sensor material ceramics/plastic
- Seal made of FKM
- 3-wire DC, 21...26 VDC
- NO contact, PNP output
- Plug-in device, M12 x 1

**Wiring diagram**



**Functional principle**

The function of the inline flow sensors is based on the thermo-dynamic principle. Heat is generated in a measuring tube and absorbed by the flowing medium. The transported heat loss is thus a measure of the flow speed. Thus TURCK's wear-free flow sensors reliably monitor the flow of gaseous and liquid media. A low pressure drop and fast response to flow rate variations are the outstanding features of these devices.

<b>Type code</b>	FCI-D06CTP-AP8X-H1141
Ident no.	6870661
<b>Flow operating range</b>	0,02...3 l/min.
Oil operating range	20...3000ml/min
Stand-by time	5...15 s
Switch-on time	0.5...3 s
Switch-off time	0.5...3 s
Temperature gradient	≤ 400 K/min
Medium temperature	0...60 °C
Ambient temperature	0...60 °C
<b>Operating voltage</b>	21...26VDC
No-load current I <sub>0</sub>	≤ 50 mA
Output function	PNP, NO contact
Rated operational current	0.2 A
Voltage drop at I <sub>0</sub>	≤ 1.5 V
Short-circuit protection	yes
Reverse polarity protection	yes
<b>Housing material</b>	plastic, PBT
Sensor material	ceramics/plastic, Al <sub>2</sub> O <sub>3</sub> /PTFE
Max. tightening torque housing nut	5 Nm
Connection	male, M12 x 1
Pressure resistance	5 bar
Process connection	G 1/4" female thread
<b>Switching state</b>	LED chain green / yellow / red
Flow state display	LED chain, red (1x), green (5x)
Indication: Drop below setpoint	LED red
Indication: Setpoint reached	LED yellow
Indication: Setpoint exceeded	4 x LEDs green
LED display	red = 4 mA 1 x green > 4 mA 2 x green > 8 mA 3 x green > 12 mA 4 x green > 16 mA 5 x green = 20 mA