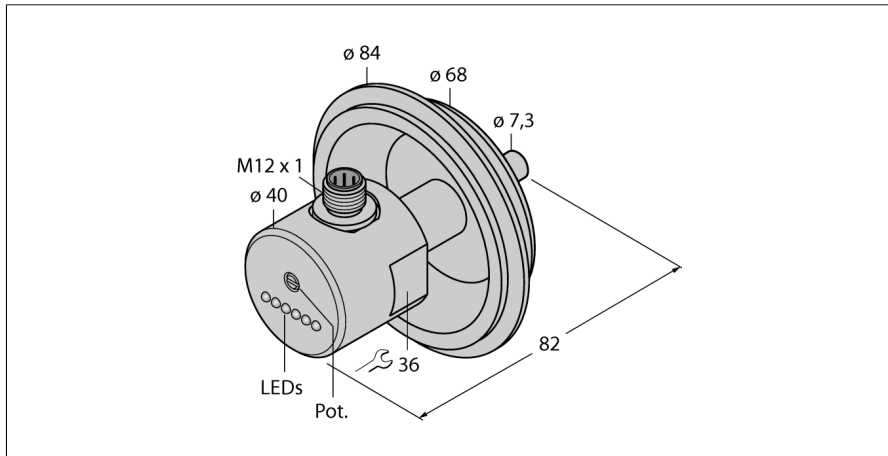
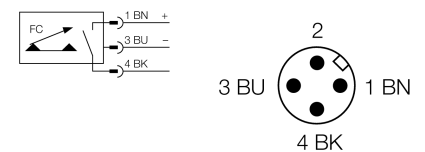


Flow sensor
Immersion sensor with integrated processor
FCS-68A4-AP8X-H1141/D003



- Flow sensor for liquid media
- Calorimetric principle
- Adjustment via potentiometer
- LED band
- Sensor, stainless steel A4 (1.4404)
- Mechanical Connection: Varivent
- 3-wire DC, 21...26 VDC
- NO contact, PNP output
- Plug-in device, M12 x 1

Wiring diagram



Type code	FCS-68A4-AP8X-H1141/D003
Ident no.	6872003
Operating range water	1...150cm/s
Oil operating range	3...300 cm/s
Stand-by time	typ. 8 s (2...15 s)
Switch-on time	typ. 2 s (1...15 s)
Switch-off time	typ. 2 s (1...15 s)
Temperature jump, response time	max. 12 s
Temperature gradient	≤ 250 K/min
Medium temperature	0...80 °C
Operating voltage	21...26VDC
No-load current I ₀	≤ 65 mA
Output function	PNP, NO contact
Rated operational current	0.4 A
Voltage drop at I ₀	≤ 1.5 V
Short-circuit protection	yes
Reverse polarity protection	yes
Housing material	stainless steel, V4A (1.4404)
Sensor material	stainless steel, AISI 316L
Connection	male, M12 x 1
Pressure resistance	10 bar
Process connection	Varivent
Switching state	LED chain green / yellow / red
Flow state display	LED chain, red (1x), green (5x)
Indication: Drop below setpoint	LED red
Indication: Setpoint reached	LED yellow
Indication: Setpoint exceeded	4 x LEDs green
LED display	red = 4 mA 1 x green > 4 mA 2 x green > 8 mA 3 x green > 12 mA 4 x green > 16 mA 5 x green = 20 mA

Functional principle

Our insertion - flow sensors operate on the principle of thermodynamics. The measuring probe is heated by several °C as against the flow medium. When fluid moves along the probe, the heat generated in the probe is dissipated. The resulting temperature is measured and compared to the medium temperature. The flow status of every medium can be derived from the evaluated temperature difference. Thus TURCK's wear-free flow sensors reliably monitor the flow of gaseous and liquid media.