



CONTACTOR, AC-3 15 KW/400 V,  
AC 24V 50/60HZ, 3-POLE, SIZE S2,  
SCREW CONNECTION MOUNTING POSITION VERTICAL

#### General technical data:

|   |    |             |
|---|----|-------------|
| <b>product brand name</b>   |    | SIRIUS      |
| <b>Size of the contactor</b>  |    | S2          |
| <b>Protection class IP / on the front</b>   |    | IP20        |
| <b>Degree of pollution</b>  |    | 3           |
| <b>Installation altitude / at a height over sea level / maximum</b>   | m  | 2,000       |
| <b>Ambient temperature / during operating</b>   | °C | -25 ... +60 |
| <b>Mechanical operating cycles as operating time</b>  |    |             |
| <ul style="list-style-type: none"> <li>• of the contactor / typical</li> </ul>  |    | 10,000,000  |
| <ul style="list-style-type: none"> <li>• of the contactor with added auxiliary switch block / typical</li> </ul>                        |    | 10,000,000  |
| <ul style="list-style-type: none"> <li>• of the contactor with added electronics-compatible auxiliary switch block / typical</li> </ul> |    | 5,000,000   |

#### Main circuit:

|  |   |    |
|--|---|----|
| <b>Number of NC contacts / for main contacts</b>   |   | 0  |
| <b>Number of NO contacts / for main contacts</b>   |   | 3  |
| <b>Operating current</b>   |   |    |
| <ul style="list-style-type: none"> <li>• at AC-1 / at 400 V <ul style="list-style-type: none"> <li>• at 40 °C ambient temperature / rated value</li> </ul> </li> </ul> | A | 50 |
| <ul style="list-style-type: none"> <li>• at AC-3 / at 400 V / rated value</li> </ul>   | A | 32 |
| <ul style="list-style-type: none"> <li>• at AC-4 / at 400 V / rated value</li> </ul>   | A | 29 |

|  |    |        |
|--|----|--------|
| • with 1 current path / at DC-1                      | A  | 45     |
| • at 24 V / rated value                              | A  | 4.5    |
| • at 110 V / rated value                             |    |        |
| • with 2 current paths in series / at DC-1           | A  | 45     |
| • at 24 V / rated value                              | A  | 25     |
| • at 110 V / rated value                             |    |        |
| • with 3 current paths in series / at DC-1           | A  | 45     |
| • at 24 V / rated value                              | A  | 45     |
| • at 110 V / rated value                             |    |        |
| • with 1 current path / at DC-3 / at DC-5            | A  | 35     |
| • at 24 V / rated value                              | A  | 2.5    |
| • at 110 V / rated value                             |    |        |
| • with 2 current paths in series / at DC-3 / at DC-5 | A  | 45     |
| • at 24 V / rated value                              | A  | 25     |
| • at 110 V / rated value                             |    |        |
| • with 3 current paths in series / at DC-3 / at DC-5 | A  | 45     |
| • at 24 V / rated value                              | A  | 45     |
| • at 110 V / rated value                             |    |        |
| <b>Service power</b>                                 |    |        |
| • at AC-2 / at 400 V / rated value                   | kW | 15     |
| • at AC-3 / at 400 V / rated value                   | kW | 15     |
| • at AC-4 / at 400 V / rated value                   | W  | 15,000 |

| Control circuit:  |     |             |
|---|-----|-------------|
| <b>Voltage type / of control feed voltage</b>   |     | AC          |
| <b>Operating range factor control supply voltage rated value / of the magnet coil</b> |     |             |
| • at 50 Hz  |     |             |
| • for AC  |     | 0.8 ... 1.1 |
| • at 60 Hz  |     |             |
| • for AC  |     | 0.8 ... 1.1 |
| <b>Apparent pull-in power / of the solenoid / for AC</b>                              | V·A | 127         |
| <b>Apparent holding power / of the solenoid / for AC</b>                              | V·A | 11.3        |
| <b>Inductive power factor / with the pull-in power of the coil</b>                    |     | 0.73        |
| <b>Inductive power factor / with the pull-in power of the coil</b>                    |     | 0.41        |

| Auxiliary circuit:  |  |   |
|---|--|---|
| <b>Contact reliability / of the auxiliary contacts</b>                          |  | 1 faulty switching per 100 million (17 V, 1 mA) |
| <b>Number of NC contacts / for auxiliary contacts / instantaneous switching</b> |  | 0   |
| <b>Number of NO contacts / for auxiliary contacts / instantaneous switching</b> |  | 0   |

**Short-circuit:****Design of the fuse link**

- for short-circuit protection of the auxiliary switch / required
- for short-circuit protection of the main circuit
  - with type of assignment 1 / required
  - at type of coordination 2 / required

fuse gL/gG: 10 A

fuse gL/gG: 125 A

fuse gL/gG: 63 A

**Installation/mounting/dimensions:****Mounting type**

screw and snap-on mounting onto 35 mm standard mounting rail according to DIN EN 50022

**series installation**

Yes

**Width**

mm

55

**Height**

mm

112

**Depth**

mm

115

**Distance, to be maintained, to earthed part / sideways**

mm

6

**Connection type:****Design of the electrical connection**

- for main current circuit
- for auxiliary and control current circuit

screw-type terminals

screw-type terminals

**Type of the connectable conductor cross-section**

- for main contacts
  - solid
  - stranded
  - finely stranded
    - with conductor end processing
    - without conductor final cutting
- for AWG conductors / for main contacts
- for auxiliary contacts
  - solid
  - finely stranded
    - with conductor end processing
- for AWG conductors / for auxiliary contacts

2x (0.75 ... 16 mm<sup>2</sup>)2x (0.75 ... 25 mm<sup>2</sup>)2x (0.75 ... 16 mm<sup>2</sup>)2x (0.75 ... 16 mm<sup>2</sup>)

2x (18 ... 2)

2x (0.5 ... 1.5 mm<sup>2</sup>), 2x (0.75 ... 2.5 mm<sup>2</sup>), max. 2x (0.75 ... 4 mm<sup>2</sup>)2x (0.5 ... 1.5 mm<sup>2</sup>), 2x (0.75 ... 2.5 mm<sup>2</sup>)

2x (20 ... 16), 2x (18 ... 14), 1x 12

**Certificates/approvals:**

|                                 |  |                                  |
|---------------------------------|--|----------------------------------|
| <b>General Product Approval</b> | <b>Functional Safety / Safety of Machinery</b> | <b>Declaration of Conformity</b> |
|---------------------------------|--|----------------------------------|



[Type Examination](#)



### Test Certificates

[Special Test Certificate](#)

[Type Test Certificates/Test Report](#)

### Shipping Approval



### Shipping Approval

other



[Confirmation](#)

[other](#)

[Environmental Confirmations](#)

### Further information:

#### Information- and Downloadcenter (Catalogs, Brochures,...)

<http://www.siemens.com/industrial-controls/catalogs>

#### Industry Mall (Online ordering system)

<http://www.siemens.com/industrial-controls/mall>

#### Cax online generator:

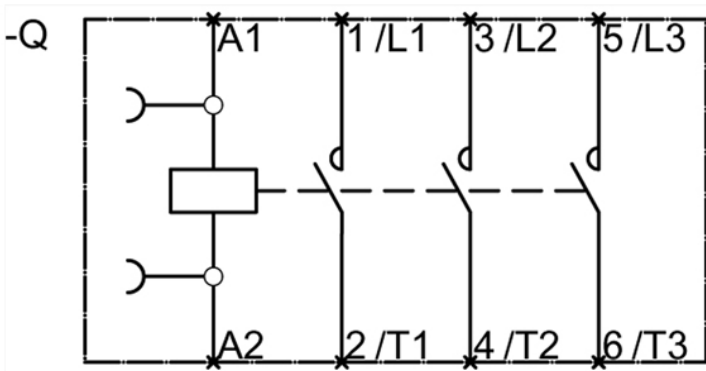
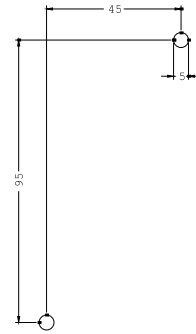
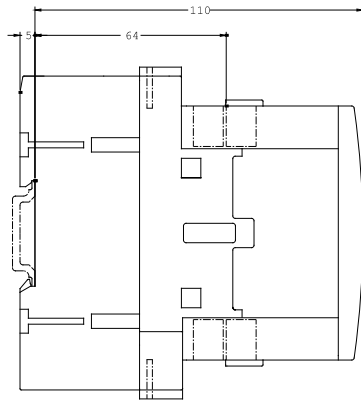
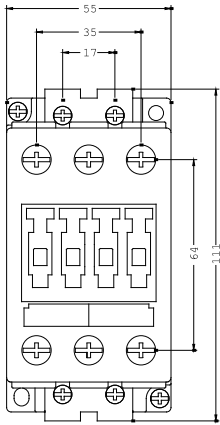
<http://www.siemens.com/cax>

#### Service&Support (Manuals, Certificates, Characteristics, FAQs,...)

<http://support.automation.siemens.com/VW/view/en/3RT1034-1AC20-1AA0/all>

#### Image database (product images, 2D dimension drawings, 3D models, device circuit diagrams, ...)

[http://www.automation.siemens.com/bilddb/cax\\_en.aspx?mlfb=3RT1034-1AC20-1AA0](http://www.automation.siemens.com/bilddb/cax_en.aspx?mlfb=3RT1034-1AC20-1AA0)



last change:

Jul 28, 2014