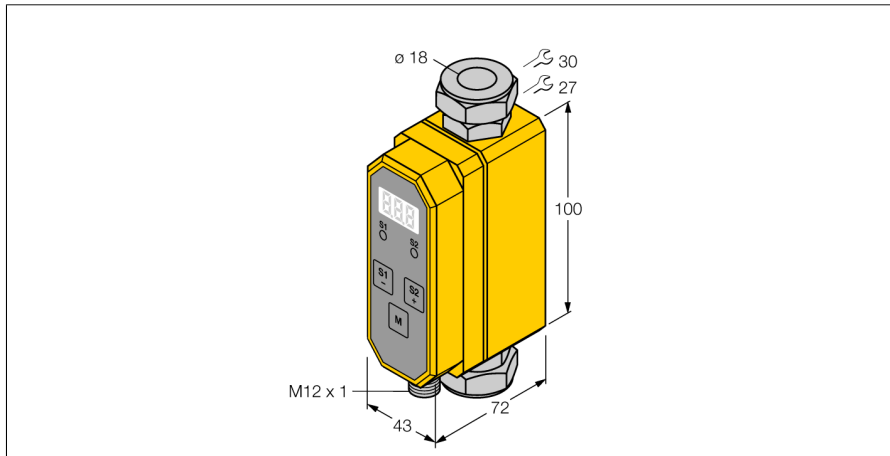
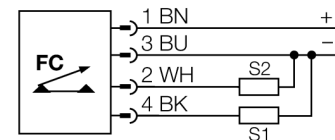


Flow meter
Inline sensor with integrated processor
FTCI-18D15A4P-2UP8X-H1141



- Compact inline flow sensor
- Calorimetric principle
- Monitoring of flow rate
- Monitoring of the medium temperature
- For water/glycol mix
- Parametrized via button
- Protected by software code
- 4-wire DC, 21...26 VDC
- NO/NC prog., 2 x PNP outputs
- Plug-in device, M12 x 1

Wiring diagram



Functional principle

The FTCTs from TURCK monitor flow rates of liquids passing through the sensor reliably and wear-free. These sensors are designed for high-precision flow rate measurement rather than simple flow monitoring tasks.

Based on the thermodynamic principle, electrical energy is converted in heat energy. The heat generated in the probe is conducted away by the flowing medium. The dissipated heat quantity is used as a direct measure for the medium's flow speed. The integrated microprocessor evaluates the data and calculates the flow rate. Based on the applied principle, the user is also indicated the media temperature.

In addition to the standardized electrical output signals for industrial applications, the TURCK flow meters also indicated the current flow rate on its 3-digit 7-segment display.

Type code	FTCI-18D15A4P-2UP8X-H1141
Ident no.	6870045
Application area	flow rate/temperature monitoring of water or water/glycol mix
Flow operating range	4...40 l/min.
Stand-by time	6...10 s
Temperature gradient	≤ 400 K/min
Medium temperature	- 10...90 °C
Ambient temperature	0...60 °C
Operating voltage	21...26VDC
No-load current I₀	≤ 100 mA
Output function	2 x PNP, NO/NC programmable
Rated operational current	0.2 A
Short-circuit protection	yes
Reverse polarity protection	yes
Protection class	IP65
Housing material	plastic, PBT
Sensor material	stainless steel, AISI 316Ti
Connection	male, M12 x 1
Pressure resistance	20 bar
Process connection	compression ferrule fittings for pipes Ø 18 x 1.5 (EN10305-1)
Programming options	Access code; switching point flow rate/temperature; NC/NO contact; glycol contents; switch-ON/OFF delay; signal filter; reference compensation

Flow meter
Inline sensor with integrated processor
FTCI-18D15A4P-2UP8X-H1141

Accessories

Type code	Ident no.	Description	Dimension drawing
FTCI-G1/2A4-D18/L068	6870150	Adapter for G1/2 thread made of stainless steel A4 (1.4571/ AISI 316Ti)	
FTCI-MP01AL	6870040	aluminium mounting panel for front mounting	