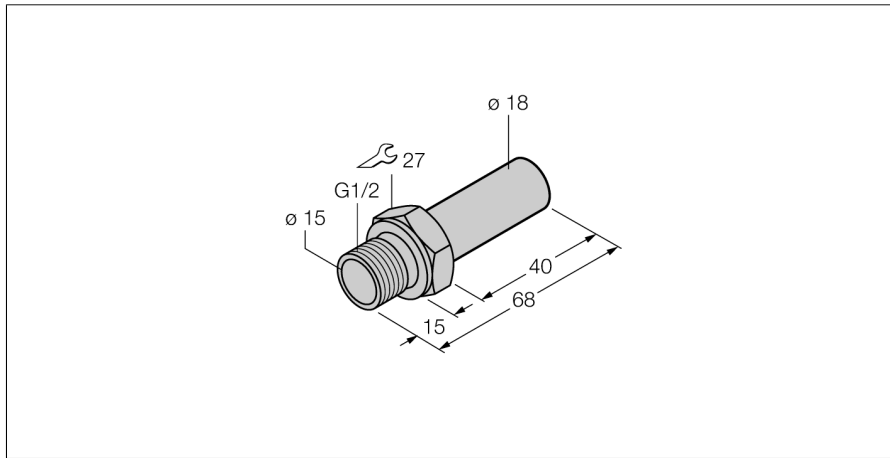


**Mounting accessories
flow meters
FTCI-G1/2A4-D18/L068**

- Adapter for flow meters
- Mechanical adaptation on G1/2 threads
- Stainless steel A4 1.4571 / AISI 316 Ti)

Type code	FTCI-G1/2A4-D18/L068
Ident no.	6870150
Housing material	stainless steel, V4A (1.4571)