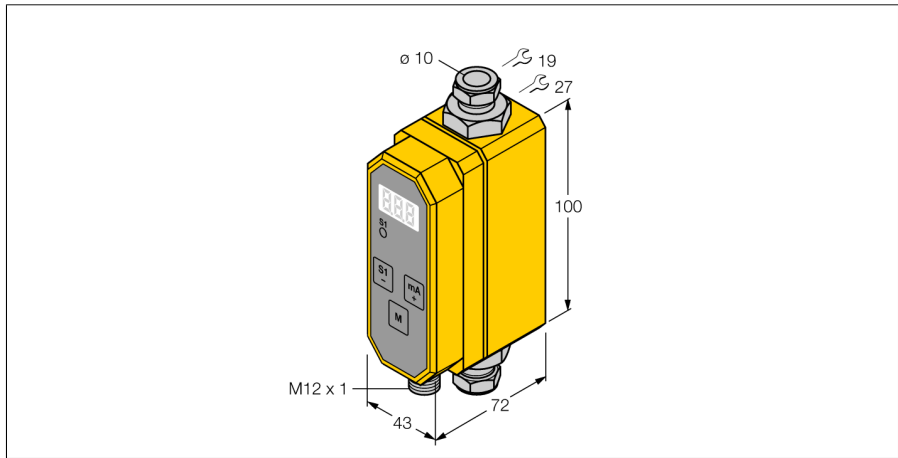


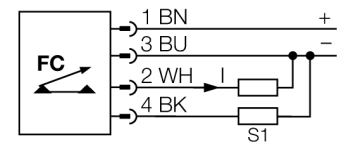
Flow meter
Inline sensor with integrated processor
FCVI-10R09DYA4P-LIUP8X-H1141



- Programmable flow sensor for water
- Vortex principle
- Display and monitoring of flow
- 3-digit display in [l/min]
- Repeatability < 2 % f.s.
- Prog. via pushbutton, code-protected
- Sensor elements made of PVDF
- 4-wire DC, 21...26 VDC
- NO/NC prog., PNP output
- 4...20 mA analog output
- Analog output provides a current signal proportional to the flow rate over the entire operating range
- Plug-in device, M12 x 1

Type code	FCVI-10R09DYA4P-LIUP8X-H1141
Ident no.	6870159
Application area	flow monitoring of water
Flow operating range	2...20 l/min.
Stand-by time	4.5...8 s
Setting time	0.5...4
Medium temperature	5...60 °C
Ambient temperature	0...60 °C
Operating voltage	21...26VDC
No-load current I_0	≤ 100 mA
Output function	PNP/analog output, NO/NC programmable
Rated operational current	0.2 A
Short-circuit protection	yes
Reverse polarity protection	yes
Current output	4...20mA
Load	≤ 500 Ω
Protection class	IP65
Housing material	plastic, PBT
Sensor material	stainless-steel/plastic, V4A (1.4571)/PVDF
Connection	male, M12 x 1
Pressure resistance	10 bar
Process connection	compression ferrule fittings for pipes Ø 10 x 1 (EN10305-1)
Programming options	access code, switch-point, N.C./N.O, hysteresis, switch-on/switch-off delay, signal filter

Wiring diagram



Functional principle

Vortex flow meters operate according to the flow separation principle (Karman vortex). If an exactly defined obstruction is positioned in a (minimum) flow, vortices separate at a certain frequency. The vortex separation frequency is the measure for flow speed.

Flow meter
Inline sensor with integrated processor
FCVI-10R09DYA4P-LIUP8X-H1141

Accessories

Type code	Ident no.	Description	Dimension drawing
FTCI-G1/4A4-D10/L050	6870151	Adapter for G1/4 thread made of stainless steel A4 (1.4571/ AISI 316Ti)	
FTCI-MP01AL	6870040	aluminium mounting panel for front mounting	