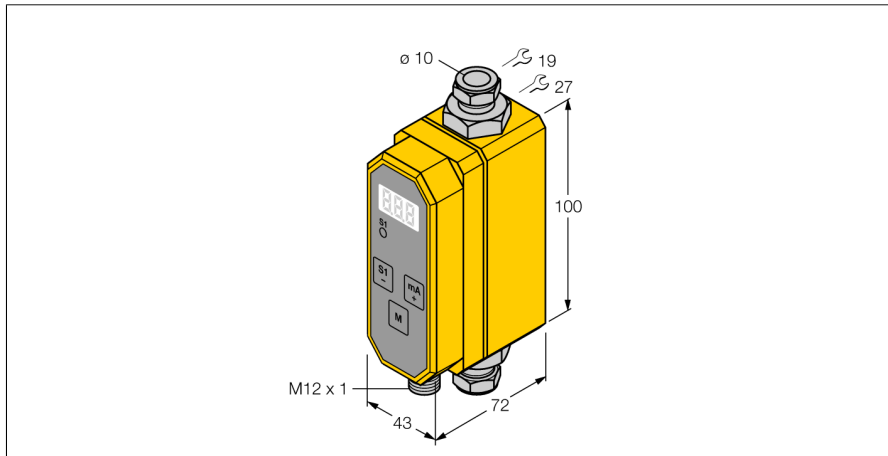


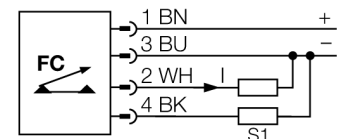
Flow meter
Inline sensor with integrated processor
FCMI-10D08DYA4P-LIUP8X-H1141



- Programmable flow meter for electrical-ly conductive liquids
- Magnetic-inductive principle
- Display and monitoring of flow
- 3-digit display in [l/min]
- Measuring accuracy 0...5l/min: $\pm 0.1 \text{ l/min}$
- Measuring accuracy 5...40 l/min: $\pm 2\%$ of minimum value
- Minimum conductivity > 10 $\mu\text{S/cm}$ (water > 15 $\mu\text{S/cm}$)
- Prog. via pushbutton, code-protected
- 4-wire DC, 21...26 VDC
- NO/NC prog., PNP output
- Linear analog output 4...20 mA
- Flow range for analog output freely adjustable
- Plug-in device, M12 x 1

Type code	FCMI-10D08DYA4P-LIUP8X-H1141
Ident no.	6870603
Application area	liquids
Flow operating range	0 l/min.
Stand-by time	6...10 s
Medium temperature	5...60 °C
Ambient temperature	0...60 °C
Operating voltage	21...26VDC
No-load current I_0	$\leq 100 \text{ mA}$
Output function	PNP/analog output, NO/NC programmable
Rated operational current	0.2 A
Short-circuit protection	yes
Reverse polarity protection	yes
Current output	4...20mA
Load	$\leq 500 \Omega$
Protection class	IP65
Housing material	plastic, PBT
Sensor material	stainless-steel/plastic, V4A (1.4571)/PVDF
Connection	male, M12 x 1
Pressure resistance	10 bar
Process connection	compression ferrule fittings for pipes $\varnothing 10 \times 1$ (EN10305-1)
Programming options	access code, switch-point, N.C./N.O, hysteresis, switch-on/switch-off delay, signal filter

Wiring diagram



Functional principle

The magnetic-inductive inline flow meter FCMI by TURCK is based on the Faraday principle. A measuring tube permeating magnetic field deviates the free charge carriers in the targeted medium to the tube walls. Voltage is created by electrical separation and picked up by two laterally mounted electrodes. The voltage quantity depends on the flow rate i.e. flow if the magnetic field is known. Thus the FCMI flow meter monitor reliably and wear-free the flow of various different liquid media which feature a determined minimum conductivity.

**Flow meter
Inline sensor with integrated processor
FCMI-10D08DYA4P-LIUP8X-H1141**

Accessories

Type code	Ident no.	Description	Dimension drawing
FTCI-G1/4A4-D10/L050	6870151	Adapter for G1/4 thread made of stainless steel A4 (1.4571/ AISI 316Ti)	
FTCI-MP01AL	6870040	aluminium mounting panel for front mounting	