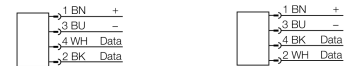


- Threaded barrel, M18 x 1
- Stainless steel 1.4404
- Front cap made of liquid crystal polymer Vectra C130
- High protection class IP69K, for harsh environments
- Special double-lip seal
- Protection against all common acid and alkaline cleaning agents
- For the food industry
- Laser engraved label, permanently legible
- Every read/write head can communicate with a number of different TURCK data carriers.
- Powered and operated only via BL ident interface module
- Male M12 x 1, only for use with BL ident extension cable

<b>Type code</b>	TN-EM18WD-H1147
Ident no.	7030223
<b>Mounting condition</b>	non-flush
Ambient temperature	-25...+70 °C
<b>Operating voltage</b>	10...30VDC
DC rated operational current	≤ 75 mA
Data transfer	inductive coupling
Operating frequency	13.56 MHz
Radio communication and protocol standards	ISO 15693
Read/write distance max.	45 mm
Output function	4-wire, read/write
<b>Design</b>	threaded barrel, M18 x 1
Dimensions	72mm
Housing diameter	18 mm
Housing material	stainless steel, V4A (1.4404)
Material active area	Plastic, LCP

#### Connectors .../S2500



#### Functional principle

The HF read/write heads operating at a frequency of 13.56 MHz form a transmission zone the size of which (0...500 mm) varies, depending on the combination of read/write head and data carrier.

The read/write distances mentioned here only represent standard values measured under laboratory conditions.

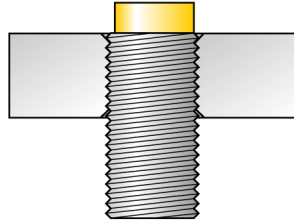
The read/write distances of the data carriers for mounting in metal TW-R\*\*-M(MF) were determined in metal.

Attainable distances may vary by up to 30 % due to component tolerances, mounting conditions, ambient conditions and material qualities (especially when mounted in metal)

Testing of the application under real operating conditions is therefore essential, especially with read/write on-the-fly!

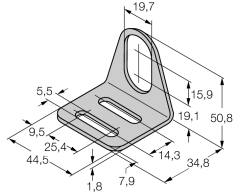
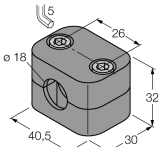
---

Diameter of the active area B                     $\varnothing$  18 mm  
Width of the active face B                        18 mm



non-flush mounting

**Accessories**

Type code	Ident no.	Description	Dimension drawing
MW-18	6945004	Mounting bracket for threaded barrel devices; material: Stainless steel A2 1.4301 (AISI 304)	
BSS-18	6901320	Mounting bracket for smooth and threaded barrel devices; material: Polypropylene	
PN-M18	6905310	Protective nut for M18 x 1 threaded barrels; material: Stainless steel A2 1.4305 (AISI 303)	