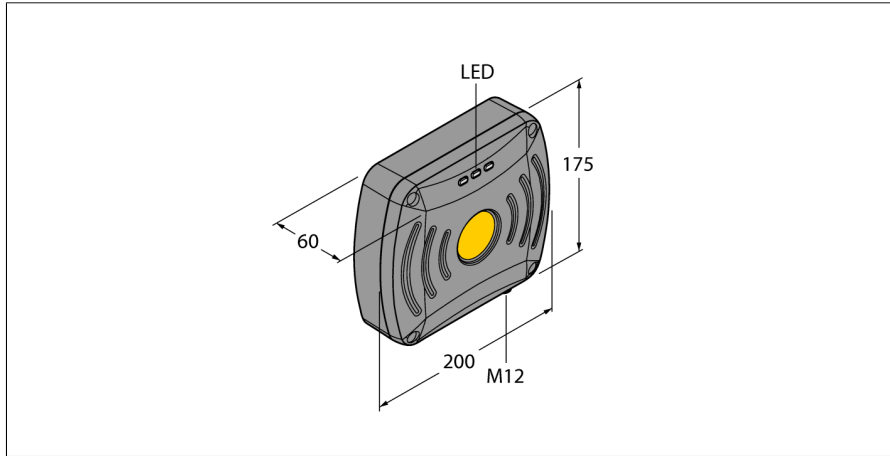


**Read/write head  
TN840/920-Q175L200-H1147**



- Rectangular, height 60 mm
- Active face in front
- Plastic, ABS
- Every read/write head can communicate with a number of different TURCK data carriers.
- Powered and operated only via BL ident interface module
- Male M12 x 1, only for use with BL ident extension cable

**Connectors .../S2500**



<b>Type code</b>	TN840/920-Q175L200-H1147
Ident no.	7030466
<b>Mounting condition</b>	non-flush
Ambient temperature	-25...+50 °C
<b>Operating voltage</b>	12...24VDC
Data transfer	alternating electromagnetic field
Operating frequency	920...925 MHz
Radio communication and protocol standards	ISO 18000-6C EPCglobal Gen 2
Channel spacing	250 kHz
Output power	1 W (ERP), adjustable
Antenna polarization	RHCP
Antenna HPBW	90°
Read/write distance max.	4000 mm
Output function	4-wire, read/write
<b>Design</b>	rectangular
Dimensions	200x 175x 60mm
Housing material	aluminium, AL, silver
Material active area	Plastic, ABS, Black
<b>Connection</b>	male, M12 x 1
Vibration resistance	55 Hz (1 mm)
Shock resistance	30 g (11 ms)
Protection class	IP67
MTTF	51 years acc. to SN 29500 (Ed. 99) 40 °C
Power-on indication	LED green / yellow / red
Diagnostic display	differently adjustable
<b>Packaged quantity</b>	1

**Functional principle**

The UHF read/write heads form an air interface the size of which may vary, depending on the combination of read/write head and data carrier used.

The read/write distances mentioned here only represent standard values measured under laboratory conditions, free from any influences caused by surrounding materials.

Attainable distances may vary due to component tolerances, mounting conditions, ambient conditions and material qualities, especially when mounted in metal.

Testing of the application under real operating conditions is therefore essential, especially with read/write on-the-fly!

Because of the higher energy needs of the transponder on a write, the distance is reduced to approximately 40-60% of the reading range.

**Read/write head  
TN840/920-Q175L200-H1147****Accessories**

Type code	Ident no.	Description	Dimension drawing
RH-Q240L280/Q280L640	7030296	Arm bracket for UHF RFID read/write heads TNxxx-Q175L200-H1147, TNxxx-Q240L280-H1147 and TNxxx-Q280L640-H1147	