

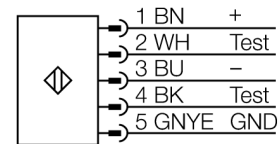
light screen for machine safety applications
emitter
SLSE14-1050Q5



- Personnel safety Cat 4, PL e acc. to EN ISO 13849-1:2008
- Type 4 according to IEC 61496-1,-2
- SIL 3 to IEC 61508
- Male M12 x 1, 5-pin
- Test function
- Protection class IP65
- Adjustment via DIP switch
- Operating voltage 24 VDC +/-15%
- Resolution 14 mm
- Scan field 1050 mm
- All devices incl. 2 EZA-MBK-11 mounting brackets; 900 mm devices and longer additionally incl. 1 EZA-MBK-12

| | |
|-----------------------------|------------------------|
| Type code | SLSE14-1050Q5 |
| Ident no. | 3071218 |
| Operating mode | light screen |
| Light type | IR |
| Wavelength | 950 nm |
| Optical resolution | 14 mm |
| Range | 100...6000 mm |
| Detection zone height | 1050 mm |
| Ambient temperature | 0...+50 °C |
| Operating voltage | 20...28VDC |
| Residual ripple | < 10 % U _s |
| Short-circuit protection | yes |
| Reverse polarity protection | yes |
| Response time | < 36 ms |
| Design | rectangular, EZ-Screen |
| Dimensions | 45 x 36 x 1120 mm |
| Housing material | metal, AL, yellow |
| Lens | plastic, acrylic |
| Connection | male, M12 x 1 |
| Protection class | IP65 |
| Power-on indication | LED green |

Wiring diagram

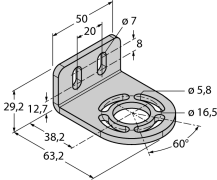
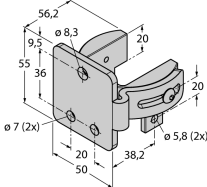
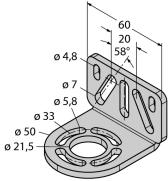


Functional principle

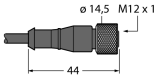
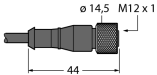
The high-resolution safety light screen for personnel protection consists of an emitter and a receiver. The system is optically synchronized, making the wiring between emitter and receiver redundant. The receiver's safety switching outputs are directly connected to a load relay and trigger an immediate stop of the dangerous machine cycle. Personnel safety degree type 4 acc. to IEC 61496 is fulfilled through 2 channel monitoring of the switching device and the multiple-redundant construction with mutual processor control.

**light screen for machine safety applications
emitter
SLSE14-1050Q5**

Accessories

| Type code | Ident no. | Description | Dimension drawing |
|------------|-----------|---|---|
| EZA-MBK-11 | 3071470 | Mounting bracket, steel, black-finished, for EZ-ARRAY and EZ-SCREEN standard and cascade 14 & 30 mm |  |
| EZA-MBK-12 | 3071756 | Mounting bracket, steel, black-finished, for EZ-ARRAY and EZ-SCREEN standard and cascade 14 & 30 mm |  |
| EZA-MBK-20 | 3072587 | Mounting bracket, steel, black-finished, for EZ-ARRAY and EZ-SCREEN standard 14 & 30 mm |  |

Wiring accessories

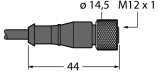
| Type code | Ident no. | Description | Dimension drawing |
|-----------|-----------|---|---|
| QDE-515D | 3070880 | Connection cable, PVC, yellow, length: 4.57 m, female M12 x 1, 5-pin |  |
| QDE-525D | 3070881 | Connection cable, PVC, yellow, length: 2.44 m, female M12 x 1 - male M12, 8-pin | |
| QDE-550D | 3070882 | Connection cable, PVC, yellow, length: 15.3 m, female M12 x 1, 5-pin | |
| QDE-575D | 3071464 | Connection cable, PVC, yellow, length: 22.9 m, female M12 x 1, 5-pin |  |

**light screen for machine safety applications
emitter
SLSE14-1050Q5**

TURCK

Industrial
Automation

Wiring accessories

| Type code | Ident no. | Description | Dimension drawing |
|-------------|-----------|---|---|
| QDE-5100D | 3071465 | Connection cable, PVC, yellow, length: 30.5 m, female M12 x 1, 5-pin |  |
| DEE2R-51D | 3072333 | Connection cable, PVC, yellow, length: 0.31 m, female M12 x 1 - male M12 x 1, 5-pin | |
| DEE2R-53D | 3072334 | Connection cable, PVC, yellow, length: 0.91 m, female M12 x 1 - male M12 x 1, 5-pin | |
| DEE2R-58D | 3072636 | Connection cable, PVC, yellow, length: 2.44 m, female M12 x 1 - male M12 x 1, 5-pin | |
| DEE2R-515D | 3072335 | Connection cable, PVC, yellow, length: 4.57 m, female M12 x 1 - male M12 x 1, 5-pin | |
| DEE2R-525D | 3072336 | Connection cable, PVC, yellow, length: 7.62 m, female M12 x 1 - male M12 x 1, 5-pin | |
| DEE2R-550D | 3072337 | Connection cable, PVC, yellow, length: 15.2 m, female M12 x 1 - male M12 x 1, 5-pin | |
| DEE2R-575D | 3072338 | Connection cable, PVC, yellow, length: 22.9 m, female M12 x 1 - male M12 x 1, 5-pin | |
| DEE2R-5100D | 3072339 | Connection cable, PVC, yellow, length: 30.5 m, female M12 x 1 - male M12 x 1, 5-pin | |