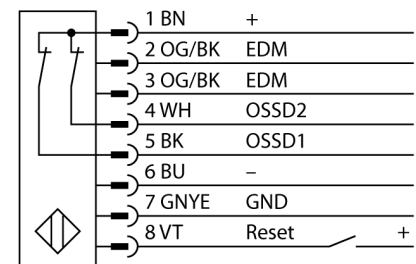


light screen for machine safety applications
receiver
SLSR30-1650Q8



- Personnel safety Cat 4, PL e acc. to EN ISO 13849-1:2008
- Type 4 according to IEC 61496-1,-2
- SIL 3 to IEC 61508
- Male M12 x 1, 8-pin
- Blanking function
- Protection class IP65
- Adjustment via DIP switch
- Operating voltage 24 VDC +/-15%
- Resolution 30 mm
- Scan field 1650 mm
- All devices incl. 2 EZA-MBK-11 mounting brackets; 900 mm devices and longer additionally incl. 1 EZA-MBK-12

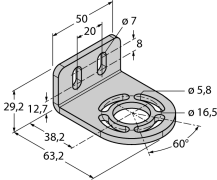
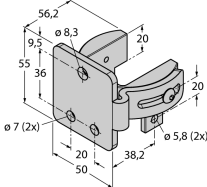
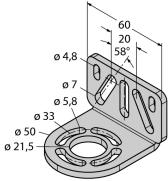
| | |
|--------------------------------|------------------------|
| Type code | SLSR30-1650Q8 |
| Ident no. | 3071258 |
| Operating mode | light screen |
| Optical resolution | 30 mm |
| Range | 100...18000 mm |
| Detection zone height | 1650 mm |
| Ambient temperature | 0...+50 °C |
| Operating voltage | 20...28VDC |
| Residual ripple | < 10 % U _s |
| No-load current I ₀ | ≤ 275 mA |
| Short-circuit protection | yes |
| Reverse polarity protection | yes |
| Output function | 2x NC, 2 x PNP |
| Current output | 0...500mA |
| Response time | < 30 ms |
| Design | rectangular, EZ-Screen |
| Dimensions | 45 x 36 x 1719 mm |
| Housing material | metal, AL, yellow |
| Lens | plastic, acrylic |
| Connection | male, M12 x 1 |
| Protection class | IP65 |
| Power-on indication | LED green |
| Switching state | 2-color LED red |

Wiring diagram

Functional principle

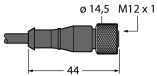
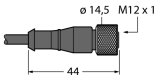
The high-resolution safety light screen for personnel protection consists of an emitter and a receiver. The system is optically synchronized, making the wiring between emitter and receiver redundant. The receiver's safety switching outputs are directly connected to a load relay and trigger an immediate stop of the dangerous machine cycle. Personnel safety degree type 4 acc. to IEC 61496 is fulfilled through 2 channel monitoring of the switching device and the multiple-redundant construction with mutual processor control.

**light screen for machine safety applications
receiver
SLSR30-1650Q8**

Accessories

| Type code | Ident no. | Description | Dimension drawing |
|------------|-----------|---|---|
| EZA-MBK-11 | 3071470 | Mounting bracket, steel, black-finished, for EZ-ARRAY and EZ-SCREEN standard and cascade 14 & 30 mm |  |
| EZA-MBK-12 | 3071756 | Mounting bracket, steel, black-finished, for EZ-ARRAY and EZ-SCREEN standard and cascade 14 & 30 mm |  |
| EZA-MBK-20 | 3072587 | Mounting bracket, steel, black-finished, for EZ-ARRAY and EZ-SCREEN standard 14 & 30 mm |  |

Wiring accessories

| Type code | Ident no. | Description | Dimension drawing |
|-----------|-----------|--|---|
| QDE-815D | 3070883 | Connection cable, PVC, yellow, length: 4.57 m, female M12 x 1, 8-pin |  |
| QDE-825D | 3070884 | Connection cable, PVC, yellow, length: 7.62 m, female M12 x 1, 8-pin |  |

light screen for machine safety applications
receiver
SLSR30-1650Q8

TURCK

Industrial
Automation

Wiring accessories

| Type code | Ident no. | Description | Dimension drawing |
|-----------------|-----------|--|---|
| QDE-850D | 3070885 | Connection cable, PVC, yellow, length: 15.3 m, female M12 x 1, 8-pin |  |
| QDE-875D | 3071466 | Connection cable, PVC, yellow, length: 22.9 m, female M12 x 1, 8-pin |  |
| QDE-8100D | 3071467 | Connection cable, PVC, yellow, length: 30.5 m, female M12 x 1, 8-pin |  |
| DEE2R-81D | 3072205 | Connection cable, PVC, yellow, length: 0.31 m, female M12 x 1 - male M12, 8-pin | |
| DEE2R-83D | 3072206 | Connection cable, PVC, yellow, length: 0.91 m, female M12 x 1 - male M12, 8-pin | |
| DEE2R-88D | 3072635 | Connection cable, PVC, yellow, length: 2.44 m, female M12 x 1 - male M12, 8-pin | |
| DEE2R-815D | 3072207 | Connection cable, PVC, yellow, length: 4.57 m, female M12 x 1 - male M12, 8-pin | |
| DEE2R-825D | 3072208 | Connection cable, PVC, yellow, length: 7.62 m, female M12 x 1 - male M12, 8-pin | |
| DEE2R-850D | 3072209 | Connection cable, PVC, yellow, length: 15.2 m, female M12 x 1 - male M12, 8-pin | |
| DEE2R-875D | 3072210 | Connection cable, PVC, yellow, length: 22.9 m, female M12 x 1 - male M12, 8-pin | |
| DEE2R-8100D | 3072211 | Connection cable, PVC, yellow, length: 30.5 m, female M12 x 1 - male M12, 8-pin | |
| CSB-M1280M1280 | 3075375 | Y-piece, PVC, yellow, with male M12 x 1, 8-pin on 2 x 0.3 m cable, PVC, yellow, with female M12 x 1, 8-pin | |
| CSB-M1281M1281 | 3073252 | Y-piece, PVC, yellow, length: 0.3 m with male, M12 x 1, 8-pin on 2 x 0.3 m cable, PVC, yellow, with female, M12 x 1, 8-pin | |
| CSB-M1288M1281 | 3073253 | Y-piece, PVC, yellow, length: 2.5 m with male, M12 x 1, 8-pin on 2 x 0.3 m cable, PVC, yellow, with female, M12 x 1, 8-pin | |
| CSB-M12815M1281 | 3073254 | Y-piece, PVC, yellow, length: 4.6 m with male, M12 x 1, 8-pin on 2 x 0.3 m cable, PVC, yellow, with female, M12 x 1, 8-pin | |
| CSB-M12825M1281 | 3073255 | Y-piece, PVC, yellow, length: 7.6 m with male, M12 x 1, 8-pin on 2 x 0.3 m cable, PVC, yellow, with female, M12 x 1, 8-pin | |

light screen for machine safety applications
receiver
SLSR30-1650Q8

TURCK

Industrial
Automation

Function accessories

| Type code | Ident no. | Description | Dimension drawing |
|-----------|-----------|--|---|
| IM-T-9A | 3061425 | Safety relay, 2 inputs, 3 NO outputs, 24 VDC, provides max. 6 A, 20 ms response time |  |