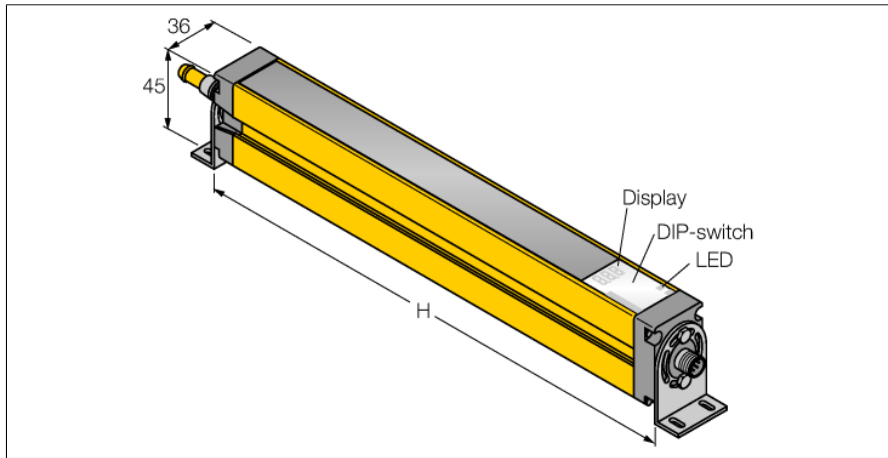


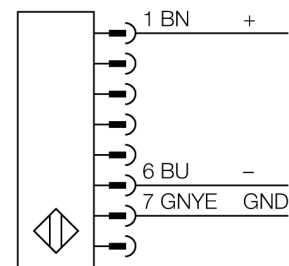
**light screen for machine safety applications**  
**cascadable emitter/receiver pair**  
**SLSCP30-1500Q88**



- Personnel safety Cat 4, PL e acc. to EN ISO 13849-1:2008
- Type 4 according to IEC 61496-1,-2
- SIL 3 to IEC 61508
- Male M12 x 1, 8-pin
- Blanking function
- Up to 4 modules cascadable
- Protection class IP65
- Adjustment via DIP switch
- Operating voltage 24 VDC +-15%
- Resolution 30 mm
- Scan field 1500 mm
- All devices incl. 2 EZA-MBK-11 mounting brackets; 900 mm devices and longer additionally incl. 1 EZA-MBK-12

|                                |                        |
|--------------------------------|------------------------|
| <b>Type code</b>               | SLSCP30-1500Q88        |
| Ident no.                      | 3072452                |
| <b>Operating mode</b>          | light screen           |
| Light type                     | IR                     |
| Wavelength                     | 950 nm                 |
| Optical resolution             | 30 mm                  |
| Range                          | 100...18000 mm         |
| Detection zone height          | 1500 mm                |
| Ambient temperature            | 0...+50 °C             |
| <b>Operating voltage</b>       | 20...28VDC             |
| Residual ripple                | < 10 % U <sub>s</sub>  |
| No-load current I <sub>0</sub> | ≤ 275 mA               |
| Short-circuit protection       | yes                    |
| Reverse polarity protection    | yes                    |
| Output function                | 2x NC, 2 x PNP         |
| Current output                 | 0...500mA              |
| Response time                  | < 27 ms                |
| <b>Design</b>                  | rectangular, EZ-Screen |
| Dimensions                     | 45 x 36 x 1569 mm      |
| Housing material               | metal, AL, yellow      |
| Lens                           | plastic, acrylic       |
| Connection                     | male, M12 x 1          |
| Protection class               | IP65                   |
| <b>Power-on indication</b>     | LED green              |
| Switching state                | 2-color LED red        |

**Wiring diagram**



**Functional principle**

The high-resolution safety light screen for personnel protection consists of an emitter and a receiver. The system is optically synchronized, making the wiring between emitter and receiver redundant. The receiver's safety switching outputs are directly connected to a load relay and trigger an immediate stop of the dangerous machine cycle. Personnel safety degree type 4 acc. to IEC 61496 is fulfilled through 2 channel monitoring of the switching device and the multiple-redundant construction with mutual processor control.

**light screen for machine safety applications  
cascadable emitter/receiver pair  
SLSCP30-1500Q88**

**Accessories**

| Type code  | Ident no. | Description   | Dimension drawing |
|------------|-----------|---|-------------------|
| EZA-MBK-21 | 3073319   | Mounting bracket, steel, black-finished, for EZ-ARRAY and EZ-SCREEN standard 14 & 30 mm             |                   |
| EZA-MBK-11 | 3071470   | Mounting bracket, steel, black-finished, for EZ-ARRAY and EZ-SCREEN standard and cascade 14 & 30 mm |                   |
| EZA-MBK-12 | 3071756   | Mounting bracket, steel, black-finished, for EZ-ARRAY and EZ-SCREEN standard and cascade 14 & 30 mm |                   |
| EZA-MBK-20 | 3072587   | Mounting bracket, steel, black-finished, for EZ-ARRAY and EZ-SCREEN standard 14 & 30 mm             |                   |
|            |           |   |                   |

**Wiring accessories**

| Type code | Ident no. | Description  | Dimension drawing |
|-----------|-----------|--|-------------------|
| QDE-815D  | 3070883   | Connection cable, PVC, yellow, length: 4.57 m, female M12 x 1, 8-pin |                   |
| QDE-825D  | 3070884   | Connection cable, PVC, yellow, length: 7.62 m, female M12 x 1, 8-pin |                   |

**light screen for machine safety applications**  
**cascadable emitter/receiver pair**  
**SLSCP30-1500Q88**

**TURCK**

Industrial  
Automation

**Wiring accessories**

| Type code       | Ident no. | Description  | Dimension drawing   |
|-----------------|-----------|--|---|
| QDE-850D        | 3070885   | Connection cable, PVC, yellow, length: 15.3 m, female M12 x 1, 8-pin   |    |
| QDE-875D        | 3071466   | Connection cable, PVC, yellow, length: 22.9 m, female M12 x 1, 8-pin   |    |
| QDE-8100D       | 3071467   | Connection cable, PVC, yellow, length: 30.5 m, female M12 x 1, 8-pin   |  |
| DEE2R-81D       | 3072205   | Connection cable, PVC, yellow, length: 0.31 m, female M12 x 1 - male M12, 8-pin  |   |
| DEE2R-83D       | 3072206   | Connection cable, PVC, yellow, length: 0.91 m, female M12 x 1 - male M12, 8-pin  |   |
| DEE2R-88D       | 3072635   | Connection cable, PVC, yellow, length: 2.44 m, female M12 x 1 - male M12, 8-pin  |   |
| DEE2R-815D      | 3072207   | Connection cable, PVC, yellow, length: 4.57 m, female M12 x 1 - male M12, 8-pin  |   |
| DEE2R-825D      | 3072208   | Connection cable, PVC, yellow, length: 7.62 m, female M12 x 1 - male M12, 8-pin  |   |
| DEE2R-850D      | 3072209   | Connection cable, PVC, yellow, length: 15.2 m, female M12 x 1 - male M12, 8-pin  |   |
| DEE2R-875D      | 3072210   | Connection cable, PVC, yellow, length: 22.9 m, female M12 x 1 - male M12, 8-pin  |   |
| DEE2R-8100D     | 3072211   | Connection cable, PVC, yellow, length: 30.5 m, female M12 x 1 - male M12, 8-pin  |   |
| CSB-M1280M1280  | 3075375   | Y-piece, PVC, yellow, with male M12 x 1, 8-pin on 2 x 0.3 m cable, PVC, yellow, with female M12 x 1, 8-pin                 |   |
| CSB-M1281M1281  | 3073252   | Y-piece, PVC, yellow, length: 0.3 m with male, M12 x 1, 8-pin on 2 x 0.3 m cable, PVC, yellow, with female, M12 x 1, 8-pin |   |
| CSB-M1288M1281  | 3073253   | Y-piece, PVC, yellow, length: 2.5 m with male, M12 x 1, 8-pin on 2 x 0.3 m cable, PVC, yellow, with female, M12 x 1, 8-pin |   |
| CSB-M12815M1281 | 3073254   | Y-piece, PVC, yellow, length: 4.6 m with male, M12 x 1, 8-pin on 2 x 0.3 m cable, PVC, yellow, with female, M12 x 1, 8-pin |   |
| CSB-M12825M1281 | 3073255   | Y-piece, PVC, yellow, length: 7.6 m with male, M12 x 1, 8-pin on 2 x 0.3 m cable, PVC, yellow, with female, M12 x 1, 8-pin |   |