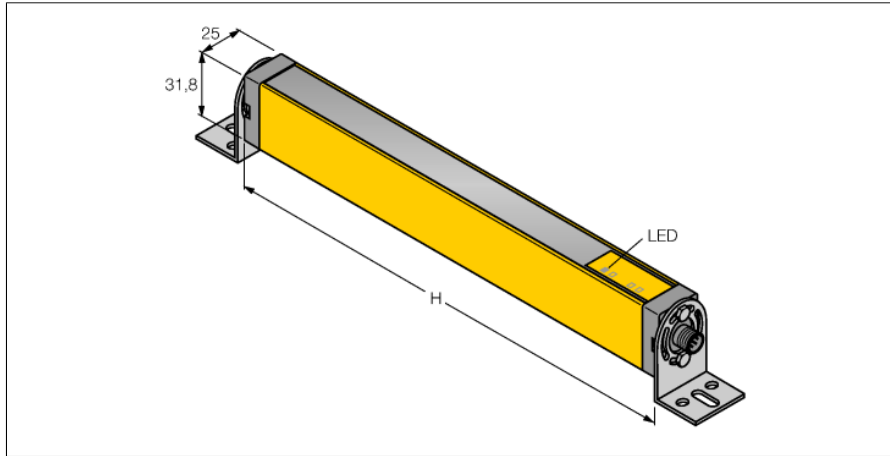
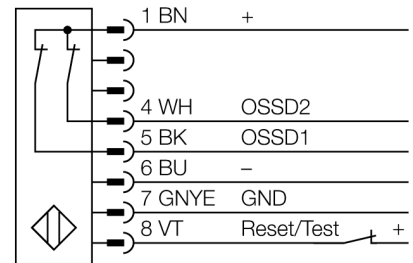


**light screen for machine safety applications**  
**receiver**  
**LS2TR30-1350Q8**



- Type 2 acc. to IEC 61496-1,-2; category 2 PLd acc. to EN ISO 13849-1; SIL2 acc. to IEC 61508
- Male M12 x 1, 8-pin
- Protection class IP65
- Scan field 1350 mm
- Resolution 30 mm
- Internal testing in 500 ms cycle
- Range 15 m
- Operating voltage 24 VDC +/-15%
- Switching output without TRIP

**Wiring diagram**



**Functional principle**

The safety light curtain consists of an emitter and a receiver. The system is optically synchronized, making the wiring between emitter and receiver redundant. The receiver's safety switching outputs are directly connected to a load relay and trigger an immediate stop of the dangerous machine cycle. Due to the dual-channel design of the switching device, personal safety degree type 2 acc. to IEC 61496 and category 2 acc. to EN 9541 are fulfilled.

|                                |                        |
|--------------------------------|------------------------|
| <b>Type code</b>               | LS2TR30-1350Q8         |
| Ident no.                      | 3073542                |
| <b>Operating mode</b>          | light screen           |
| Optical resolution             | 30 mm                  |
| Range                          | 200...15000 mm         |
| Detection zone height          | 1350 mm                |
| Ambient temperature            | 0...+55 °C             |
| <b>Operating voltage</b>       | 20...28VDC             |
| Residual ripple                | < 15 % U <sub>s</sub>  |
| No-load current I <sub>0</sub> | ≤ 90 mA                |
| Output function                | 2x NC, 2 x PNP         |
| Response time                  | < 24 ms                |
| <b>Design</b>                  | rectangular, EZ-Screen |
| Dimensions                     | 31.8 x 25.2 x 1414 mm  |
| Housing material               | metal, AL, yellow      |
| Lens                           | plastic, acrylic       |
| Connection                     | male, M12 x 1          |
| Protection class               | IP65                   |
| <b>Power-on indication</b>     | LED green              |
| Switching state                | LED red                |