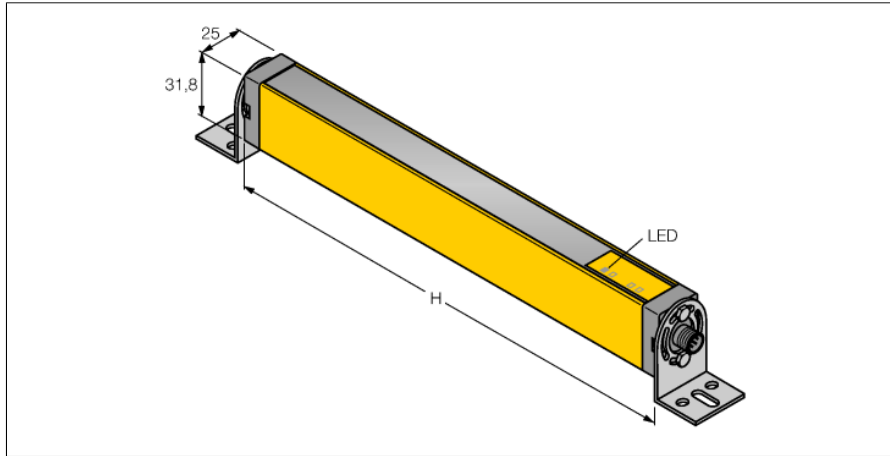
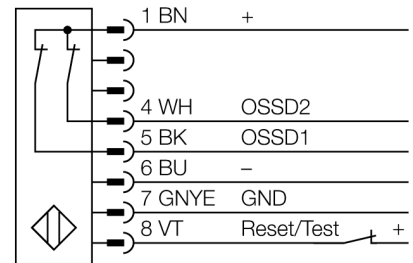


light screen for machine safety applications
receiver
LS2TR30-1800Q8



- Type 2 acc. to IEC 61496-1,-2; category 2 PLd acc. to EN ISO 13849-1; SIL2 acc. to IEC 61508
- Male M12 x 1, 8-pin
- Protection class IP65
- Scan field 1800 mm
- Resolution 30 mm
- Internal testing in 500 ms cycle
- Range 15 m
- Operating voltage 24 VDC +/-15%
- Switching output without TRIP

Wiring diagram



Functional principle

The safety light curtain consists of an emitter and a receiver. The system is optically synchronized, making the wiring between emitter and receiver redundant. The receiver's safety switching outputs are directly connected to a load relay and trigger an immediate stop of the dangerous machine cycle. Due to the dual-channel design of the switching device, personal safety degree type 2 acc. to IEC 61496 and category 2 acc. to EN 9541 are fulfilled.

Type code	LS2TR30-1800Q8
Ident no.	3077251
Operating mode	light screen
Optical resolution	30 mm
Range	200...15000 mm
Detection zone height	1800 mm
Ambient temperature	0...+55 °C
Operating voltage	20...28VDC
Residual ripple	< 15 % U _s
No-load current I ₀	≤ 90 mA
Output function	2x NC, 2 x PNP
Response time	< 29 ms
Design	rectangular, EZ-Screen
Dimensions	31.8 x 25.2 x 1863 mm
Housing material	metal, AL, yellow
Lens	plastic, acrylic
Connection	male, M12 x 1
Protection class	IP65
Power-on indication	LED green
Switching state	LED red