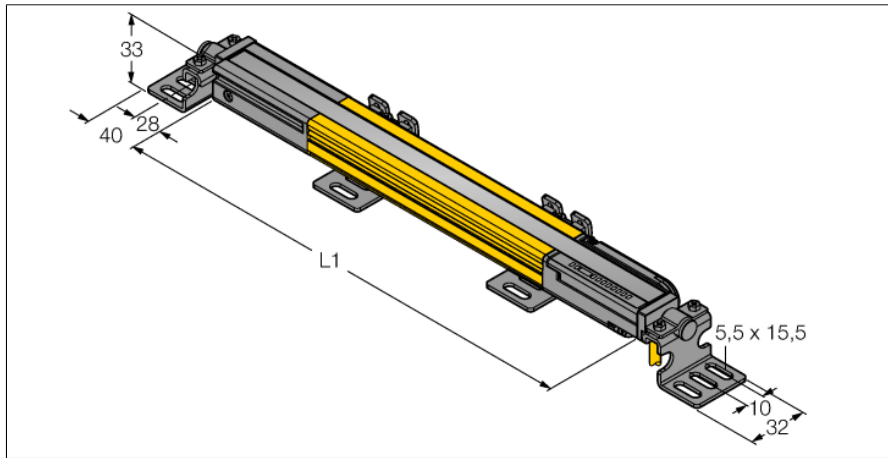


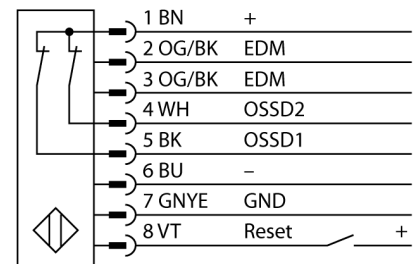
**Personnel safety, light screen
receiver
SLPR25-1670**



- Personnel safety Cat 4, PL e acc. to EN ISO 13849-1:2008
- Type 4 according to IEC 61496-1,-2
- SIL 3 to IEC 61508
- Electrical connection via RDLP-8 with open end or via DELPE-8 with male M12 x 1, 8-pin
- Protection class IP65
- Flat housing without blind zone
- Adjustment via DIP switch
- Resolution can be reduced
- Blanking function
- Operating voltage: 24 VDC ± 15 %
- Resolution 25 mm
- Scan field 1670 mm (L1)

| | |
|----------------------------------|---------------------------|
| Type code | SLPR25-1670 |
| Ident no. | 3083678 |
| Operating mode | light screen |
| Optical resolution | 25 mm |
| Range | 0...7000 mm |
| Detection zone height | 1670 mm |
| Ambient temperature | 0...+55 °C |
| Operating voltage | 20...28VDC |
| Residual ripple | < 10 % U _{ss} |
| Non-actuated current consumption | ≤ 150 mA |
| No-load current I ₀ | ≤ 275 mA |
| Short-circuit protection | yes |
| Reverse polarity protection | yes |
| Output function | 2x NC, 2 x PNP |
| Current output | 0...500mA |
| Response time | < 22.5 ms |
| Design | rectangular, EZ-Screen LP |
| Dimensions | 26 x 28 x 1667 mm |
| Housing material | metal, AL, yellow |
| Lens | plastic, acrylic |
| Connection | male |
| Protection class | IP65 |
| Power-on indication | LED green |
| Switching state | 2-color LED red |

Wiring diagram



Functional principle

The high-resolution safety light curtain is emitter and receiver in one without blind zone. As the system is synchronized optically, wiring between emitter and receiver is redundant. The safety switching outputs of the receiver are directly connected to a load relay (e.g. IM-TA9A) and trigger an immediate stop of the dangerous machine cycle. The switching device with 2-channel monitoring, diverse redundant designed and mutual processor control, complies with the personnel safety category PLe acc. to ISO 13849-1.

**Personnel safety, light screen
receiver
SLPR25-1670**

TURCK

Industrial
Automation

Accessories

| Type code | Ident no. | Description | Dimension drawing |
|------------|-----------|--|-------------------|
| LPA-MBK-11 | 3082841 | Mounting bracket, retainer for closure caps, 14-ga. steel, galvanized, black, 360 ° sensor rotation, incl.2 pcs. with screw set | |
| LPA-MBK-12 | 3082842 | Mounting bracket, side mounting, 14-ga. steel, galvanized, black, +10°/-30° sensor rotation, incl.1 pcs. with screw set | |
| LPA-MBK-20 | 3082853 | Mounting bracket, wall mounting, 12-ga. steel, galvanized, black, in combination with LPA-MBK-11/ -12/ -13, incl. 1 pcs. and screw set | |
| LPA-MBK-22 | 3082844 | Mounting bracket, wall mounting, 14-ga. steel, galvanized, black, in combination with LPA-MBK-11, incl. 2 pcs. and screw set | |

Wiring accessories

| Type code | Ident no. | Description | Dimension drawing |
|-----------------|-----------|--|-------------------|
| RDLP-815D | 3080792 | Connection cable, PVC, yellow, length: 4.57 m, RD connector for direct connection to the light screen | |
| RDLP-825D | 3080793 | Connection cable, PVC, yellow, length: 7.62 m, RD connector for direct connection to the light screen | |
| RDLP-850D | 3080794 | Connection cable, PVC, yellow, length: 15.2 m, RD connector for direct connection to the light screen | |
| RDLP-875D | 3080795 | Connection cable, PVC, yellow, length: 22.9 m, RD connector for direct connection to the light screen | |
| DELPE-81D | 3080811 | Connection cable, PVC, yellow, length: 0.31 m, RD connector for direct connection on male M12 x 1, 8-pin, | |
| DELPE-83D | 3080812 | Connection cable, PVC, yellow, length: 0.91 m, RD connector for direct connection on male M12 x 1, 8-pin, | |
| DELPE-88D | 3080813 | Connection cable, PVC, yellow, length: 2.44 m, RD connector for direct connection on male M12 x 1, 8-pin, | |
| DELPE-815D | 3080814 | Connection cable, PVC, yellow, length: 4.57 m, RD connector for direct connection on male M12 x 1, 8-pin, | |
| DELPE-825D | 3080815 | Connection cable, PVC, yellow, length: 7.62 m, RD connector for direct connection on male M12 x 1, 8-pin, | |
| DELPE-850D | 3080816 | Connection cable, PVC, yellow, length: 15.2 m, RD connector for direct connection on male M12 x 1, 8-pin, | |
| DELPE-875D | 3080817 | Connection cable, PVC, yellow, length: 22.9 m, RD connector for direct connection on male M12 x 1, 8-pin, | |
| DELPE-8100D | 3080818 | Connection cable, PVC, yellow, length: 30.5 m, RD connector for direct connection on male M12 x 1, 8-pin, | |
| CSB-M1280M1280 | 3075375 | Y-piece, PVC, yellow, with male M12 x 1, 8-pin on 2 x 0.3 m cable, PVC, yellow, with female M12 x 1, 8-pin | |
| CSB-M1281M1281 | 3073252 | Y-piece, PVC, yellow, length: 0.3 m with male, M12 x 1, 8-pin on 2 x 0.3 m cable, PVC, yellow, with female, M12 x 1, 8-pin | |
| CSB-M1288M1281 | 3073253 | Y-piece, PVC, yellow, length: 2.5 m with male, M12 x 1, 8-pin on 2 x 0.3 m cable, PVC, yellow, with female, M12 x 1, 8-pin | |
| CSB-M12815M1281 | 3073254 | Y-piece, PVC, yellow, length: 4.6 m with male, M12 x 1, 8-pin on 2 x 0.3 m cable, PVC, yellow, with female, M12 x 1, 8-pin | |
| CSB-M12825M1281 | 3073255 | Y-piece, PVC, yellow, length: 7.6 m with male, M12 x 1, 8-pin on 2 x 0.3 m cable, PVC, yellow, with female, M12 x 1, 8-pin | |