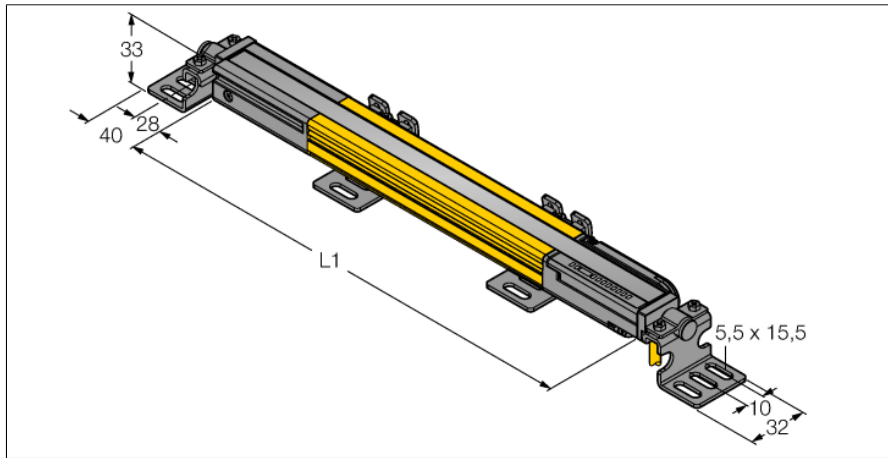


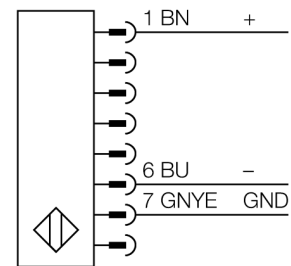
**Personnel safety, light screen  
emitter  
cascadable  
SLPCE14-1250**



- Personnel safety Cat 4, PL e acc. to EN ISO 13849-1:2008
- Type 4 according to IEC 61496-1,-2
- SIL 3 to IEC 61508
- Electrical connection via RDLP-8 with open end or via DELPE-8 with male M12 x 1, 8-pin
- Connection to cascadable nodes via DELP-1...
- Protection class IP65
- Flat housing without blind zone
- Scan code adjustable via DIP switch
- Operating voltage: 24 VDC ± 15 %
- Resolution 14 mm
- Scan field 1250 mm (L1)

<b>Type code</b>	SLPCE14-1250
Ident no.	3083686
<b>Operating mode</b>	light screen
Light type	IR
Wavelength	850 nm
Optical resolution	14 mm
Range	0...7000 mm
Detection zone height	1250 mm
Ambient temperature	0...+55 °C
<b>Operating voltage</b>	20...28VDC
Residual ripple	< 10 % U <sub>is</sub>
Non-actuated current consumption	≤ 60 mA
No-load current I <sub>0</sub>	≤ 100 mA
Short-circuit protection	yes
Reverse polarity protection	yes
Response time	< 31.5 ms
<b>Design</b>	rectangular, EZ-Screen LP
Dimensions	26 x 28 x 1248 mm
Housing material	metal, AL, yellow
Lens	plastic, acrylic
Connection	male
Protection class	IP65
<b>Power-on indication</b>	LED green
Switching state	2-color LED red

**Wiring diagram**



**Functional principle**

The high-resolution safety light curtain is emitter and receiver in one without blind zone. As the system is synchronized optically, wiring between emitter and receiver is redundant. The safety switching outputs of the receiver are directly connected to a load relay (e.g. IM-TA9A) and trigger an immediate stop of the dangerous machine cycle. The switching device with 2-channel monitoring, diverse redundant designed and mutual processor control, complies with the personnel safety category PLe acc. to ISO 13849-1.

**Personnel safety, light screen  
emitter  
cascadable  
SLPCE14-1250**

**TURCK**

Industrial  
Automation

**Accessories**

Type code	Ident no.	Description	Dimension drawing
LPA-MBK-11	3082841	Mounting bracket, retainer for closure caps, 14-ga. steel, galvanized, black, 360 ° sensor rotation, incl.2 pcs. with screw set	
LPA-MBK-12	3082842	Mounting bracket, side mounting, 14-ga. steel, galvanized, black, +10°/-30° sensor rotation, incl.1 pcs. with screw set	
LPA-MBK-20	3082853	Mounting bracket, wall mounting, 12-ga. steel, galvanized, black, in combination with LPA-MBK-11/ -12/ -13, incl. 1 pcs. and screw set	
LPA-MBK-22	3082844	Mounting bracket, wall mounting, 14-ga. steel, galvanized, black, in combination with LPA-MBK-11, incl. 2 pcs. and screw set	
LPA-MBK-21	3082845	Mounting bracket, side mounting, 14-ga. steel, galvanized, black, +10°/-30° sensor rotation, for mounting of cascadable EZ-Screen LP, adjustable orientation 90° to 180 °	
LPA-MBK-90	3082846	Mounting bracket, side mounting, 14-ga. steel, galvanized, black, +10°/-30° sensor rotation, for mounting of cascadable EZ-Screen LP, firm orientation 90 °	
LPA-MBK-120	3082847	Mounting bracket, side mounting, 14-ga. steel, galvanized, black, +10°/-30° sensor rotation, for mounting of cascadable EZ-Screen LP, firm orientation 120°	
LPA-MBK-135	3082848	Mounting bracket, side mounting, 14-ga. steel, galvanized, black, +10°/-30° sensor rotation, for mounting of cascadable EZ-Screen LP, firm orientation 135 °	
LPA-MBK-180	3082849	Mounting bracket, side mounting, 14-ga. steel, galvanized, black, +10°/-30° sensor rotation, for mounting of cascadable EZ-Screen LP, firm orientation 180 °	

**Wiring accessories**

Type code	Ident no.	Description	Dimension drawing
RDLP-815D	3080792	Connection cable, PVC, yellow, length: 4.57 m, RD connector for direct connection to the light screen	
RDLP-825D	3080793	Connection cable, PVC, yellow, length: 7.62 m, RD connector for direct connection to the light screen	
RDLP-850D	3080794	Connection cable, PVC, yellow, length: 15.2 m, RD connector for direct connection to the light screen	
RDLP-875D	3080795	Connection cable, PVC, yellow, length: 22.9 m, RD connector for direct connection to the light screen	
DELPE-81D	3080811	Connection cable, PVC, yellow, length: 0.31 m, RD connector for direct connection on male M12 x 1, 8-pin,	
DELPE-83D	3080812	Connection cable, PVC, yellow, length: 0.91 m, RD connector for direct connection on male M12 x 1, 8-pin,	
DELPE-88D	3080813	Connection cable, PVC, yellow, length: 2.44 m, RD connector for direct connection on male M12 x 1, 8-pin,	
DELPE-815D	3080814	Connection cable, PVC, yellow, length: 4.57 m, RD connector for direct connection on male M12 x 1, 8-pin,	
DELPE-825D	3080815	Connection cable, PVC, yellow, length: 7.62 m, RD connector for direct connection on male M12 x 1, 8-pin,	
DELPE-850D	3080816	Connection cable, PVC, yellow, length: 15.2 m, RD connector for direct connection on male M12 x 1, 8-pin,	
DELPE-875D	3080817	Connection cable, PVC, yellow, length: 22.9 m, RD connector for direct connection on male M12 x 1, 8-pin,	
DELPE-8100D	3080818	Connection cable, PVC, yellow, length: 30.5 m, RD connector for direct connection on male M12 x 1, 8-pin,	
DELP-110E	3080802	Connection cable, PVC, yellow, length: 0.05 m, RD connector on RD connector, for interconnection of cascadable light screens of the EZ-Screen LP series	
DELP-111E	3080803	Connection cable, PVC, yellow, length: 0.3 m, RD connector on RD connector, for interconnection of cascadable light screens of the EZ-Screen LP series	

**Personnel safety, light screen  
emitter  
cascadable  
SLPCE14-1250**

**TURCK**

Industrial  
Automation

**Wiring accessories**

Type code	Ident no.	Description	Dimension drawing
DELP-113E	3080804	Connection cable, PVC, yellow, length: 0.91 m, RD connector on RD connector, for interconnection of cascadable light screens of the EZ-Screen LP series	
DELP-118E	3080805	Connection cable, PVC, yellow, length: 2.44 m, RD connector on RD connector, for interconnection of cascadable light screens of the EZ-Screen LP series	
DELP-1115E	3080806	Connection cable, PVC, yellow, length: 4.57 m, RD connector on RD connector, for interconnection of cascadable light screens of the EZ-Screen LP series	
DELP-1125E	3080807	Connection cable, PVC, yellow, length: 7.62 m, RD connector on RD connector, for interconnection of cascadable light screens of the EZ-Screen LP series	
DELP-1150E	3080808	Connection cable, PVC, yellow, length: 15.2 m, RD connector on RD connector, for interconnection of cascadable light screens of the EZ-Screen LP series	
DELP-1175E	3080809	Connection cable, PVC, yellow, length: 22.9 m, RD connector on RD connector, for interconnection of cascadable light screens of the EZ-Screen LP series	
DELP-11100E	3080810	Connection cable, PVC, yellow, length: 30.5 m, RD connector on RD connector, for interconnection of cascadable light screens of the EZ-Screen LP series	
CSB-M1280M1280	3075375	Y-piece, PVC, yellow, with male M12 x 1, 8-pin on 2 x 0.3 m cable, PVC, yellow, with female M12 x 1, 8-pin	
CSB-M1281M1281	3073252	Y-piece, PVC, yellow, length: 0.3 m with male, M12 x 1, 8-pin on 2 x 0.3 m cable, PVC, yellow, with female, M12 x 1, 8-pin	
CSB-M1288M1281	3073253	Y-piece, PVC, yellow, length: 2.5 m with male, M12 x 1, 8-pin on 2 x 0.3 m cable, PVC, yellow, with female, M12 x 1, 8-pin	
CSB-M12815M1281	3073254	Y-piece, PVC, yellow, length: 4.6 m with male, M12 x 1, 8-pin on 2 x 0.3 m cable, PVC, yellow, with female, M12 x 1, 8-pin	
CSB-M12825M1281	3073255	Y-piece, PVC, yellow, length: 7.6 m with male, M12 x 1, 8-pin on 2 x 0.3 m cable, PVC, yellow, with female, M12 x 1, 8-pin	