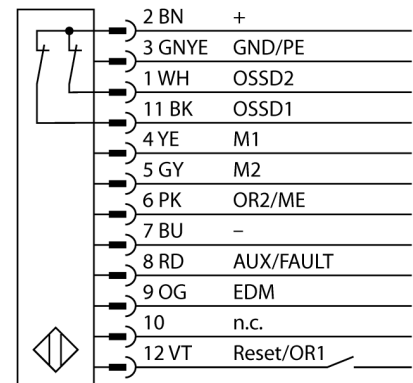


**Personnel safety
receiver
integrated muting function
SLPMR14-1530P12**



- Cable with male end M12 x 1, 8-pin, 300 mm
- Protection class IP65
- Flat housing without blind zone
- Adjustments via DIP switch
- Resolution can be reduced
- Blanking function
- Operating voltage: 24 VDC ± 15 %
- Resolution 14 mm
- Scan field 1530 mm (L1)
- Mounting bracket included in delivery

Wiring diagram



Functional principle

The high-resolution safety light screen is emitter and receiver in one without blind zone. As the system is optically synchronized, emitter/receiver wiring is superfluous. The receiver's safety switching outputs are directly connected to a load relay (e.g. IM-T-9A) and trigger an immediate stop of dangerous machine cycles. Personnel safety category PLe acc. to ISO 13849-1 is fulfilled through 2-channel monitoring of the switching device and the principle of diverse redundancy by which two processors control each other mutually.

| | |
|----------------------------------|------------------------------------|
| Type code | SLPMR14-1530P12 |
| Ident no. | 3084461 |
| Operating mode | light screen |
| Optical resolution | 14 mm |
| Range | 0...7000 mm |
| Detection zone height | 1530 mm |
| Ambient temperature | 0...+55 °C |
| Operating voltage | 20...28VDC |
| Residual ripple | < 10 % U _{ss} |
| Non-actuated current consumption | ≤ 150 mA |
| No-load current I ₀ | ≤ 275 mA |
| Short-circuit protection | yes |
| Reverse polarity protection | yes |
| Output function | 2x NC, 2 x PNP |
| Current output | 0...500mA |
| Response time | < 37.5 ms |
| Design | rectangular, EZ-Screen LP |
| Dimensions | 26 x 28 x 1528 mm |
| Housing material | metal, AL, yellow |
| Lens | plastic, Acryl |
| Connection | cable with connector, PVC, M12 x 1 |
| Cable length | 0.3 m |
| Protection class | IP65 |
| Power-on indication | LED green |
| Switching state | 2-color LED red |