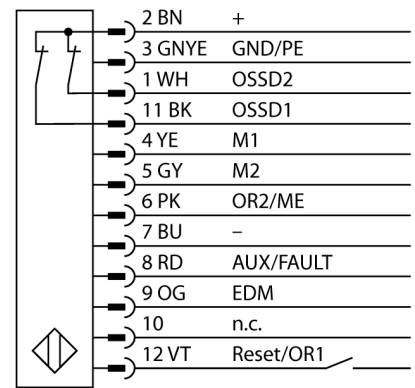


**Personnel safety
receiver
integrated muting function
SLPMR14-1670**



- Electrical connection via RDLP-8 with open end or via DELPE-8 with male M12 x 1, 8-pin
- Protection class IP65
- Flat housing without blind zone
- Adjustments via DIP switch
- Resolution can be reduced
- Blanking function
- Mounting bracket included in delivery

Wiring diagram



Functional principle

The high-resolution safety light screen is emitter and receiver in one without blind zone. As the system is optically synchronized, emitter/receiver wiring is superfluous. The receiver's safety switching outputs are directly connected to a load relay (e.g. IM-T-9A) and trigger an immediate stop of dangerous machine cycles. Personnel safety category PLe acc. to ISO 13849-1 is fulfilled through 2-channel monitoring of the switching device and the principle of diverse redundancy by which two processors control each other mutually.

Type code	SLPMR14-1670
Ident no.	3084473
Operating mode	light screen
Range	0...7000 mm
Ambient temperature	0...+55 °C
Non-actuated current consumption	≤ 150 mA
No-load current I ₀	≤ 275 mA
Output function	2x NC, 2 x PNP
Current output	0...500mA
Design	rectangular, EZ-Screen LP
Dimensions	26 x 28 x 1667 mm
Housing material	metal, AL, yellow
Lens	plastic, Acryl
Connection	male
Protection class	IP65
Power-on indication	LED green
Switching state	2-color LED red