

Personnel safety
receiver
integrated muting function
SLPMR25-1670



- Electrical connection via RDLP-8 with open end or via DELPE-8 with male M12 x 1, 8-pin
- Protection class IP65
- Flat housing without blind zone
- Adjustments via DIP switch
- Resolution can be reduced
- Blanking function
- Operating voltage: 24 VDC \pm 15 %
- Resolution 25 mm
- Scan field 1670 mm (L1)
- Mounting bracket included in delivery

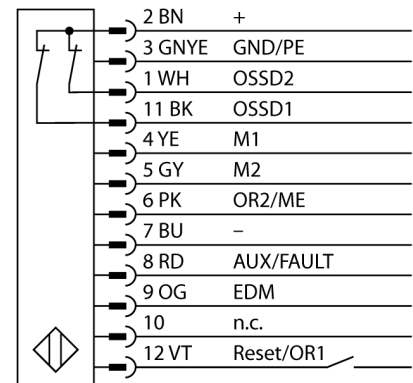
Type code	SLPMR25-1670
Ident no.	3084517

Operating mode	light screen
Optical resolution	25 mm
Range	0...7000 mm
Detection zone height	1670 mm
Ambient temperature	0...+55 °C

Operating voltage	20...28VDC
Residual ripple	< 10 % U _s
Non-actuated current consumption	≤ 150 mA
No-load current I ₀	≤ 275 mA
Short-circuit protection	yes
Reverse polarity protection	yes
Output function	2x NC, 2 x PNP
Current output	0...500mA
Response time	< 22.5 ms

Design	rectangular, EZ-Screen LP
Dimensions	26 x 28 x 1667 mm
Housing material	metal, AL, yellow
Lens	plastic, Acryl
Connection	male
Protection class	IP65

Power-on indication	LED green
Switching state	2-color LED red

Wiring diagram

Functional principle

The high-resolution safety light screen is emitter and receiver in one without blind zone. As the system is optically synchronized, emitter/receiver wiring is superfluous. The receiver's safety switching outputs are directly connected to a load relay (e.g. IM-T-9A) and trigger an immediate stop of dangerous machine cycles. Personnel safety category PLe acc. to ISO 13849-1 is fulfilled through 2-channel monitoring of the switching device and the principle of diverse redundancy by which two processors control each other mutually.