

Personnel safety
emitter/receiver pair
integrated muting function
SLPMP25-970P128



- Personnel safety Cat 4, PL e acc. to EN ISO 13849-1:2008
- Type 4 according to IEC 61496-1,-2
- SIL 3 to IEC 61508
- Cable with male end M12 x 1, 8-pin, 300 mm
- Protection class IP65
- Flat housing without blind zone
- Adjustments via DIP switch
- Resolution can be reduced
- Blanking function
- Operating voltage: 24 VDC \pm 15 %
- Resolution 25 mm
- Scan field 970 mm (L1)
- Mounting bracket included in delivery

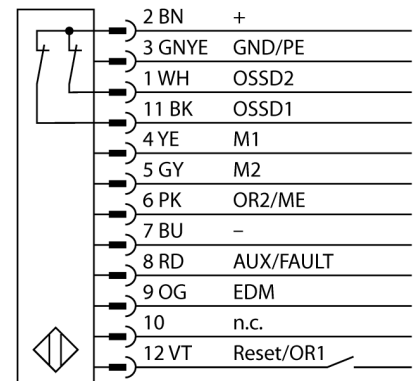
Type code	SLPMP25-970P128
Ident no.	3084523

Operating mode	light screen
Light type	IR
Wavelength	850 nm
Optical resolution	25 mm
Range	0...7000 mm
Detection zone height	970 mm
Ambient temperature	0...+55 °C

Operating voltage	20...28VDC
Residual ripple	< 10 % U_{s}
No-load current I_0	\leq 275 mA
Short-circuit protection	yes
Reverse polarity protection	yes
Output function	2x NC, 2 x PNP
Response time	< 15.5 ms

Design	rectangular, EZ-Screen LP
Dimensions	26 x 28 x 969 mm
Housing material	metal, AL, yellow
Lens	plastic, Acryl
Connection	cable with connector, PVC, M12 x 1
Cable length	0.3 m
Protection class	IP65

Power-on indication	LED green
Switching state	2-color LED red

Wiring diagram

Functional principle

The high-resolution safety light screen is emitter and receiver in one without blind zone. As the system is optically synchronized, emitter/receiver wiring is superfluous. The receiver's safety switching outputs are directly connected to a load relay (e.g. IM-T-9A) and trigger an immediate stop of dangerous machine cycles. Personnel safety category PL e acc. to ISO 13849-1 is fulfilled through 2-channel monitoring of the switching device and the principle of diverse redundancy by which two processors control each other mutually.