



CAPACITOR SW. CONTACTOR, AC-6,
12.5KVAR/400V, 24V, 50/60HZ, 3-POLE,
SIZE S00

General details:		
Number of poles		3
Type of mounting		screw and snap-on mounting onto 35 mm standard mounting rail according to DIN EN 50022
<ul style="list-style-type: none"> series installation 		Yes
Operating reactive power / at AC-6b		
<ul style="list-style-type: none"> at 230 V / at 50/60 Hz / rated value <ul style="list-style-type: none"> minimum minimum at 400 V / at 50/60 Hz / rated value <ul style="list-style-type: none"> minimum maximum at 500 V / at 50/60 Hz / rated value <ul style="list-style-type: none"> minimum maximum at 690 V / at 50/60 Hz / rated value <ul style="list-style-type: none"> minimum maximum 	kvar kvar kvar kvar kvar kvar	3 7.5 5 12.5 7.5 15 10 21
Item designation / according to DIN EN 61346-2		Q
Item designation / according to DIN 40719 extendable after IEC 204-2 / according to IEC 750		K

Protection class IP		IP20
Width	mm	45
Height	mm	83
Depth	mm	110
Ambient temperature • during operating	°C	-25 ... +60

Control circuit:

type of voltage		AC
Control supply voltage • at 50 Hz / at AC / rated value / minimum • at 50 Hz / at AC / rated value / maximum • at 60 Hz / at AC / rated value / minimum • at 60 Hz / at AC / rated value / maximum	V	24
	V	24
	V	24
	V	24
Supply voltage frequency / for auxiliary and control current circuit / rated value • minimum • maximum	Hz	50
	Hz	60

Main circuit:

Number of NC contacts / for main contacts		0
Number of NO contacts / for main contacts		3
Operating current / at AC-1 / at 400 V / rated value	A	18

Auxiliary circuit:

Identification number and letter for switching elements		11
Number of NO contacts / for auxiliary contacts		1
Number of NC contacts / for auxiliary contacts		1

Connection type:

Design of the electrical connection / for main current circuit		screw-type terminals
Design of the electrical connection / for auxiliary and control current circuit		screw-type terminals

Certificates/approvals:

General Product Approval

**Functional Safety /
Safety of
Machinery**

**Declaration of
Conformity**



CCC



CSA



GOST



UL

[Type Examination](#)



EG-Konf.

Test Certificates

[Special Test
Certificate](#)

Shipping Approval



ABS



DNV



GL



LRS



RINA



RMRS

other

[Confirmation](#)

[other](#)

[Environmental
Confirmations](#)

Further information:

Information- and Downloadcenter (Catalogs, Brochures,...)

<http://www.siemens.com/industrial-controls/catalogs>

Industry Mall (Online ordering system)

<http://www.siemens.com/industrial-controls/mall>

CAX-Online-Generator

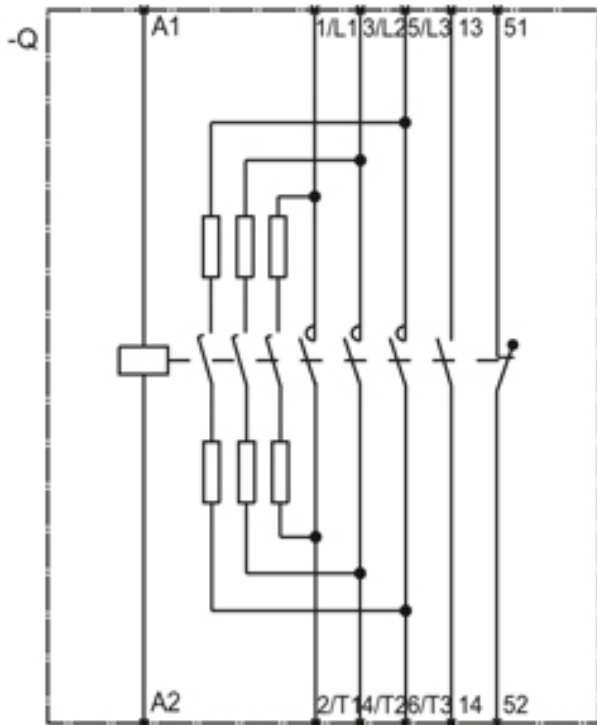
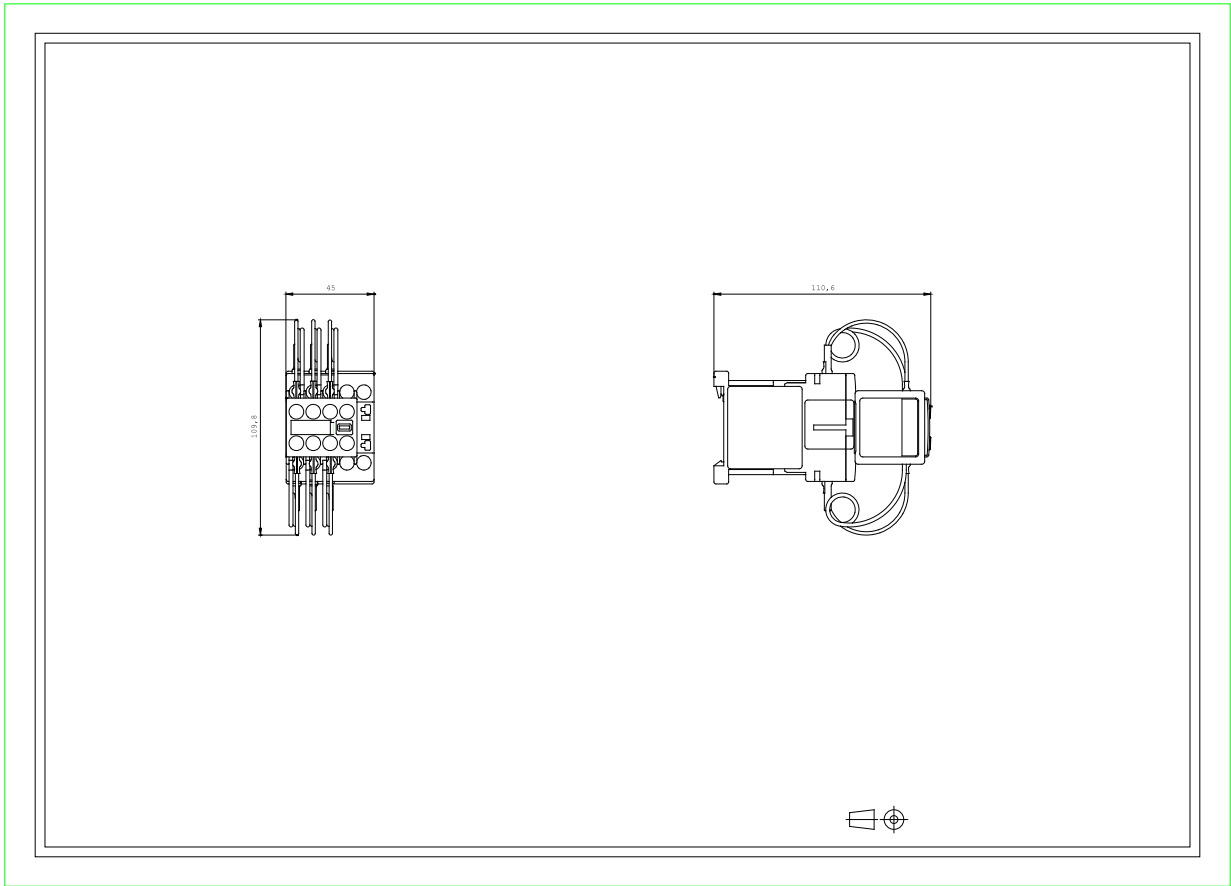
<http://www.siemens.com/cax>

Service&Support (Manuals, Certificates, Characteristics, FAQs,...)

<http://support.automation.siemens.com/WW/view/en/3RT1617-1AB03/all>

Image database (product images, 2D dimension drawings, 3D models, device circuit diagrams, ...)

http://www.automation.siemens.com/bilddb/cax_en.aspx?mlfb=3RT1617-1AB03



last change:

Feb 18, 2013