



CAPACITOR SW. CONTACTOR, AC-6,  
50KVAR/400V, 110V, 50HZ, 3-POLE, SIZE S3

**General details:**

<b>Number of poles</b>		3
<b>Type of mounting</b>		screw and snap-on mounting onto 35 mm standard mounting rail according to DIN EN 50022
<ul style="list-style-type: none"> <li>• series installation</li> </ul>		Yes
<b>Operating reactive power / at AC-6b</b>		
<ul style="list-style-type: none"> <li>• at 230 V / at 50/60 Hz / rated value                             <ul style="list-style-type: none"> <li>• minimum</li> </ul> </li> <li>• minimum</li> </ul>	kvar	3.5
	kvar	30
<ul style="list-style-type: none"> <li>• at 400 V / at 50/60 Hz / rated value                             <ul style="list-style-type: none"> <li>• minimum</li> </ul> </li> <li>• maximum</li> </ul>	kvar	5
	kvar	50
<ul style="list-style-type: none"> <li>• at 500 V / at 50/60 Hz / rated value                             <ul style="list-style-type: none"> <li>• minimum</li> </ul> </li> <li>• maximum</li> </ul>	kvar	7.5
	kvar	60
<ul style="list-style-type: none"> <li>• at 690 V / at 50/60 Hz / rated value                             <ul style="list-style-type: none"> <li>• minimum</li> </ul> </li> <li>• maximum</li> </ul>	kvar	10
	kvar	84
<b>Item designation / according to DIN EN 61346-2</b>		Q
<b>Item designation / according to DIN 40719 extendable after IEC 204-2 / according to IEC 750</b>		K

<b>Protection class IP</b>		IP20
<b>Width</b>	mm	70
<b>Height</b>	mm	167
<b>Depth</b>	mm	183
<b>Ambient temperature</b> • during operating	°C	-25 ... +60

#### Control circuit:

<b>type of voltage</b>		AC
<b>Control supply voltage</b> • at 50 Hz / at AC / rated value / minimum	V	110
• at 50 Hz / at AC / rated value / maximum	V	110
<b>Supply voltage frequency / for auxiliary and control current circuit / rated value</b> • minimum	Hz	50
• maximum	Hz	50

#### Main circuit:

<b>Number of NC contacts / for main contacts</b>		0
<b>Number of NO contacts / for main contacts</b>		3
<b>Operating current / at AC-1 / at 400 V / rated value</b>	A	72

#### Auxiliary circuit:

<b>Identification number and letter for switching elements</b>		1
<b>Number of NO contacts / for auxiliary contacts</b>		1
<b>Number of NC contacts / for auxiliary contacts</b>		0

#### Connection type:

<b>Design of the electrical connection / for main current circuit</b>		screw-type terminals
<b>Design of the electrical connection / for auxiliary and control current circuit</b>		screw-type terminals

#### Certificates/approvals:

<b>General Product Approval</b>	<b>Functional Safety / Safety of Machinery</b>	<b>Declaration of Conformity</b>
---------------------------------	--	----------------------------------



CCC



CSA



GOST



UL

[Type Examination](#)



EG-Konf.

**Test Certificates**

[Special Test Certificate](#)

**Shipping Approval**



ABS



DNV



GL



RMRS

**other**

[Confirmation](#)

[other](#)

[Environmental Confirmations](#)

**Further information:**

**Information- and Downloadcenter (Catalogs, Brochures,...)**

<http://www.siemens.com/industrial-controls/catalogs>

**Industry Mall (Online ordering system)**

<http://www.siemens.com/industrial-controls/mall>

**CAX-Online-Generator**

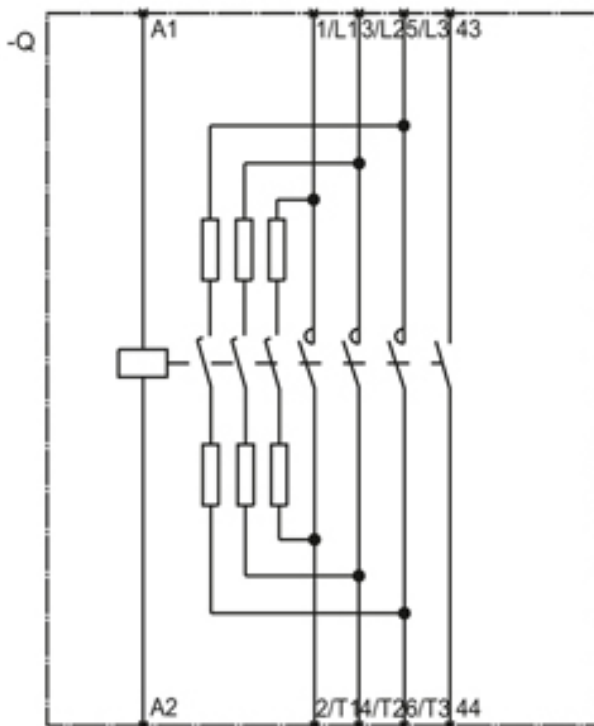
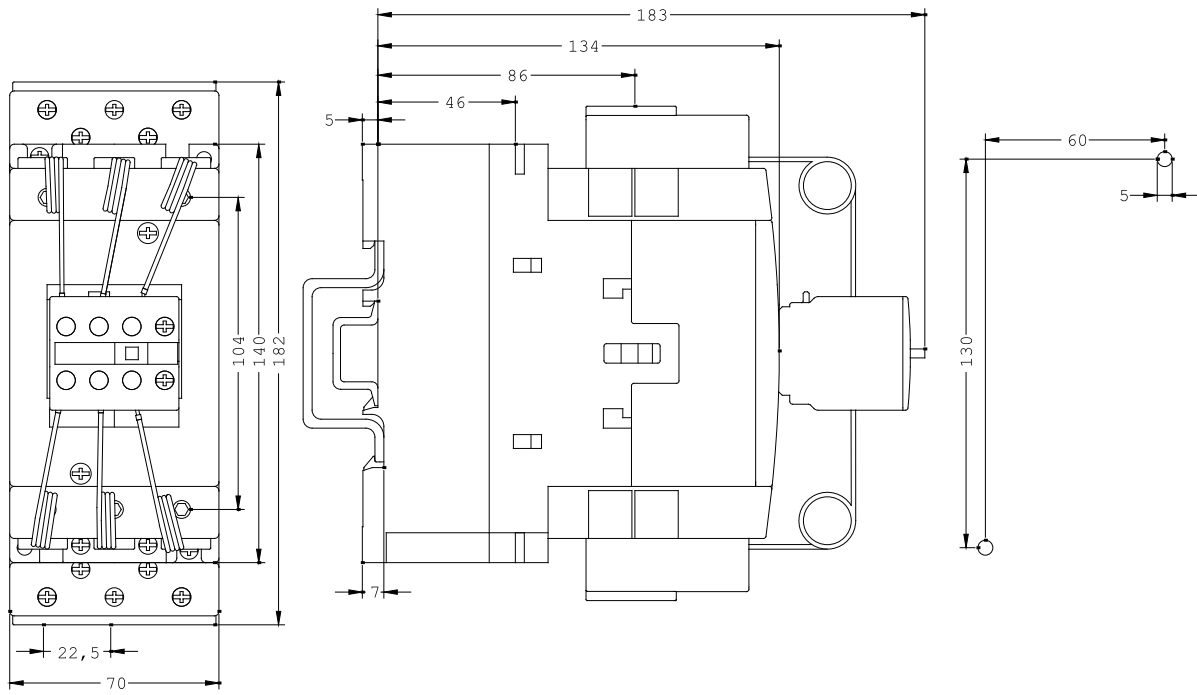
<http://www.siemens.com/cax>

**Service&Support (Manuals, Certificates, Characteristics, FAQs,...)**

<http://support.automation.siemens.com/WW/view/en/3RT1647-1AF01/all>

**Image database (product images, 2D dimension drawings, 3D models, device circuit diagrams, ...)**

[http://www.automation.siemens.com/bilddb/cax\\_en.aspx?mlfb=3RT1647-1AF01](http://www.automation.siemens.com/bilddb/cax_en.aspx?mlfb=3RT1647-1AF01)



last change:

Feb 18, 2013