



CAPACITOR SW. CONTACTOR, AC-6,
50KVAR/400V,
AC 220V 50HZ/ AC 240V 60HZ, 3-POLE,
SIZE S3

General details:		
Number of poles		3
Type of mounting		screw and snap-on mounting onto 35 mm standard mounting rail according to DIN EN 50022
<ul style="list-style-type: none"> series installation 		Yes
Operating reactive power / at AC-6b		
<ul style="list-style-type: none"> at 230 V / at 50/60 Hz / rated value <ul style="list-style-type: none"> minimum minimum at 400 V / at 50/60 Hz / rated value <ul style="list-style-type: none"> minimum maximum at 500 V / at 50/60 Hz / rated value <ul style="list-style-type: none"> minimum maximum at 690 V / at 50/60 Hz / rated value <ul style="list-style-type: none"> minimum maximum 	kvar kvar kvar kvar kvar kvar kvar kvar	3.5 30 5 50 7.5 60 10 84
Item designation / according to DIN EN 61346-2		Q
Item designation / according to DIN 40719 extendable after IEC 204-2 / according to IEC 750		K

Protection class IP		IP20
Width	mm	70
Height	mm	167
Depth	mm	183
Ambient temperature • during operating	°C	-25 ... +60

Control circuit:

type of voltage		AC
Control supply voltage • at 50 Hz / at AC / rated value / minimum • at 50 Hz / at AC / rated value / maximum • at 60 Hz / at AC / rated value / minimum • at 60 Hz / at AC / rated value / maximum	V	220 220 220 240
Supply voltage frequency / for auxiliary and control current circuit / rated value • minimum • maximum	Hz Hz	50 60

Main circuit:

Number of NC contacts / for main contacts		0
Number of NO contacts / for main contacts		3
Operating current / at AC-1 / at 400 V / rated value	A	72

Auxiliary circuit:

Identification number and letter for switching elements		1
Number of NO contacts / for auxiliary contacts		1
Number of NC contacts / for auxiliary contacts		0

Connection type:

Design of the electrical connection / for main current circuit		screw-type terminals
Design of the electrical connection / for auxiliary and control current circuit		screw-type terminals

Certificates/approvals:

General Product Approval	Functional Safety / Safety of Machinery	Declaration of Conformity
---------------------------------	--	----------------------------------



CCC



CSA



GOST



UL

[Type Examination](#)



EG-Konf.

Test Certificates

[Special Test Certificate](#)

Shipping Approval



ABS



GL



RMRS

other

[Confirmation](#)

[other](#)

[Environmental Confirmations](#)

Further information:

Information- and Downloadcenter (Catalogs, Brochures,...)

<http://www.siemens.com/industrial-controls/catalogs>

Industry Mall (Online ordering system)

<http://www.siemens.com/industrial-controls/mall>

CAX-Online-Generator

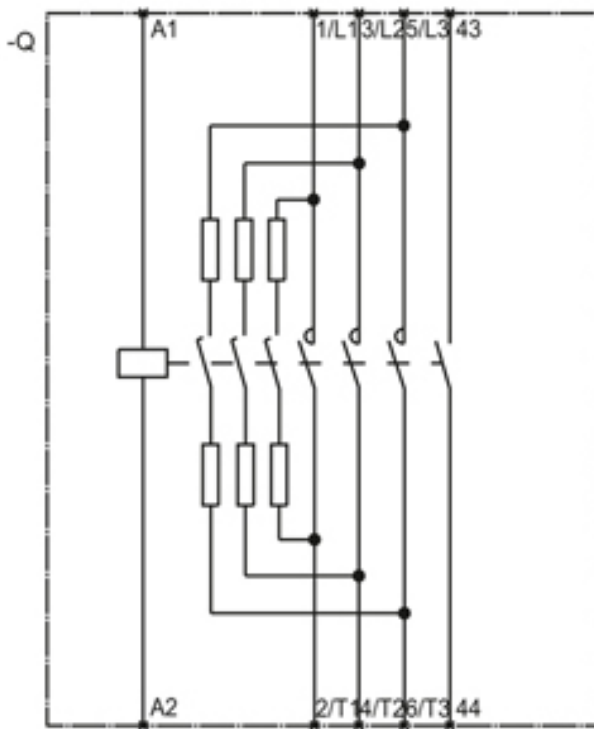
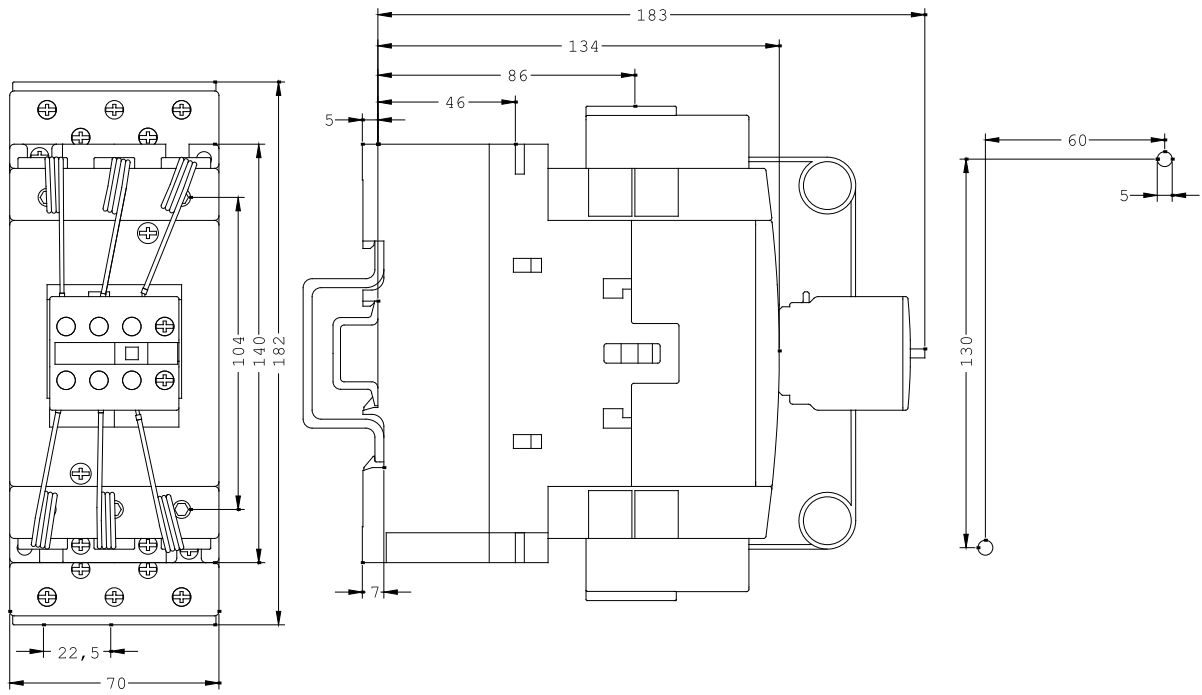
<http://www.siemens.com/cax>

Service&Support (Manuals, Certificates, Characteristics, FAQs,...)

<http://support.automation.siemens.com/WW/view/en/3RT1647-1AP61/all>

Image database (product images, 2D dimension drawings, 3D models, device circuit diagrams, ...)

http://www.automation.siemens.com/bilddb/cax_en.aspx?mlfb=3RT1647-1AP61



last change:

Feb 18, 2013