

PARALLEL CONNECTION WITH TERMINAL,  
3-POLE FOR 3RT101.

**General technical data:**

<b>product brand name</b>		SIRIUS
<b>Product designation</b>		Infeed terminal
<b>Size of the contactor</b>		S00
<b>Design of the product</b>		Parallel switching connection for contactors S00

**Installation/mounting/dimensions:**

<b>Mounting type</b>		screw fixing
----------------------	--	--------------

**Certificates/approvals:**

<b>General Product Approval</b>		<b>Functional Safety / Safety of Machinery</b>	<b>Declaration of Conformity</b>	<b>Test Certificates</b>
---------------------------------	--	--	----------------------------------	--------------------------



[Type Examination](#)



[Special Test Certificate](#)

CSA

UL

EG-Konf.

### Shipping Approval



ABS



BUREAU  
VERITAS



DNV



GL



LRS



PRS

### Shipping Approval

other



RINA



RMRS

[Confirmation](#)

[Declaration of Conformity](#)

[other](#)

[Environmental Confirmations](#)

### Further information:

#### Information- and Downloadcenter (Catalogs, Brochures,...)

<http://www.siemens.com/industrial-controls/catalogs>

#### Industry Mall (Online ordering system)

<http://www.siemens.com/industrial-controls/mall>

#### CAX-Online-Generator

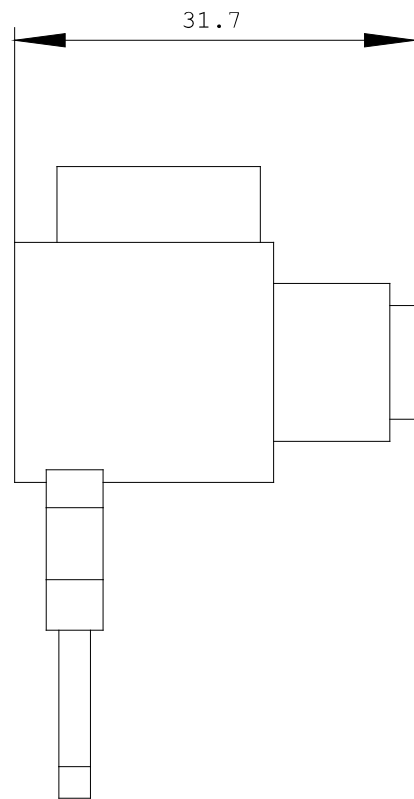
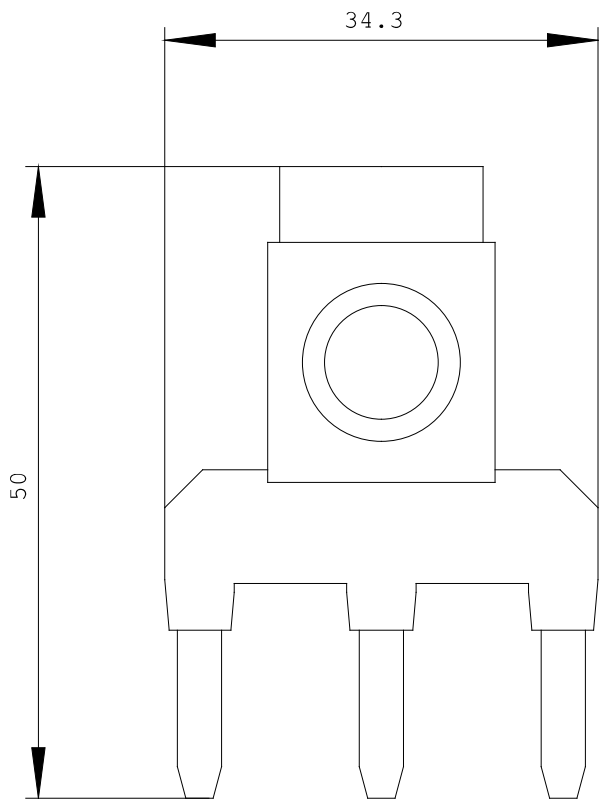
<http://www.siemens.com/cax>

#### Service&Support (Manuals, Certificates, Characteristics, FAQs,...)

<http://support.automation.siemens.com/WW/view/en/3RT1916-4BB31/all>

#### Image database (product images, 2D dimension drawings, 3D models, device circuit diagrams, ...)

[http://www.automation.siemens.com/bilddb/cax\\_en.aspx?mlfb=3RT1916-4BB31](http://www.automation.siemens.com/bilddb/cax_en.aspx?mlfb=3RT1916-4BB31)



last change:

Jun 14, 2014