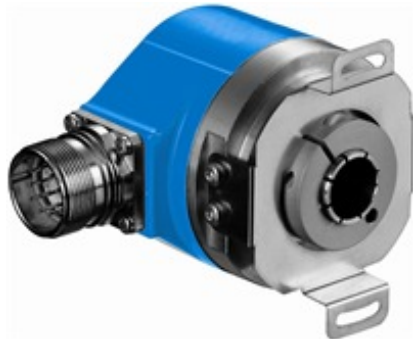




**Absolute encoders  
ARS60 SSI/Parallel**

ARS60-FAL00078



**Model Name** > [ARS60-FAL00078](#)  
**Part No.** > [1034886](#)



*Illustration may differ*

**At a glance**

- Absolute singleturn encoder
- Resolution: up to 15 bits (32,768 increments)
- Electrical interface: SSI with gray code type or gray capped
- Electrical interface: Parallel with gray, gray capped, binary, BCD code type
- Zero-set function
- Mechanical interfaces: face mount flange, servo flange, blind and through hollow shaft
- Enclosure rating: Up to IP66

**Your benefits**

- Optical and magnetic variants for the widest range of requirements
- Reduced maintenance costs thanks to magnetic, wearless scanning in single and multiturn design
- High level of productivity due to optical encoders with a high level of precision and fast calculation of positions
- Robust design for maximum system availability, even in extreme environmental conditions
- Absolutely compact - specially suited in cases where installation space is tight
- Flexible integration in all common networks



**Performance**

|                                      |  |
|--------------------------------------|--|
| Max. number of steps per revolution: | 78   |
| Max. number of revolutions:          | 1  |
| Resolution power:                    | 78 x 1   |
| Error limits:                        | 0.035 ° (binary number of steps)<br>0.046 ° (non-binary number of steps) |
| Repeatability (Ta not constant):     | 0.005 °  |
| Measuring step deviation:            | 0.005 °, 0.016 °   |
| Measuring step:                      | 360 ° /number of lines   |
| Initialization time:                 | 80 ms <sup>1)</sup>  |

<sup>1)</sup> Valid positional data can be read once this time has elapsed

**Mechanical data**

Mechanical interface: Blind hollow shaft

|   |  |
|---|--|
| Shaft diameter:                             | 6 mm<br>8 mm<br>10 mm<br>12 mm<br>14 mm<br>15 mm 1/4 "<br>3/8 " <sup>1)</sup><br>1/2 " <sup>1)</sup> |
| Start up torque:                            | 0.6 Ncm  |
| Operating torque:                           | 0.4 Ncm  |
| Maximum operating speed:                    | 3,000 /min   |
| Bearing lifetime:                           | 3.6 x 10 <sup>9</sup> revolutions  |
| Max. angular acceleration:                  | 500,000 rad/s <sup>2</sup>   |
| Permissible movement axial static/dynamic:  | ± 0.5 mm, ± 0.2 mm   |
| Permissible movement radial static/dynamic: | ± 0.3 mm, ± 0.1 mm   |
| Operation of zero-set:                      | ≥ 100 ms <sup>2)</sup>   |

<sup>1)</sup> Collets for 6, 8, 10, 12, 14 mm and 1/4 ", 3/8 " and 1/2 " as accessories, separate order item. For 15 mm shaft diameter collet is not needed. <sup>2)</sup> Only with shaft stationary (note initialisation time)

### Electrical data

---

|  |                                      |
|--|--------------------------------------|
| Operating voltage range:               | 10 V DC ... 32 V DC                  |
| Operating power consumption (no load): | 90 mA                                |
| MTTFd: mean time to dangerous failure: | 300 a (EN ISO 13849-1) <sup>1)</sup> |

<sup>1)</sup> This product is a standard product and does not constitute a safety component as defined in the Machinery Directive.

Calculation based on nominal load of components, average ambient

temperature 40°C, frequency of use 8760 h/a. All

electronic failures are considered hazardous. For more information, see document no. 8015532.

### Interfaces

---

|                       |                            |
|-----------------------|----------------------------|
| Electrical interface: | Cable, 22-pin, radial, 3 m |
|-----------------------|----------------------------|

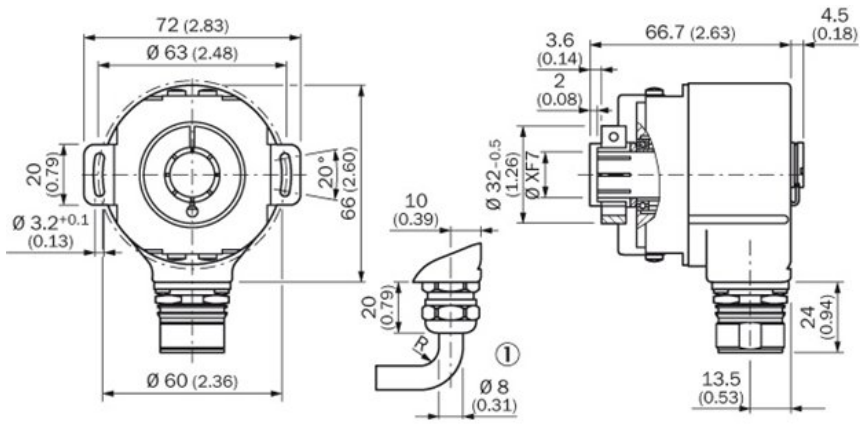
### Ambient data

---

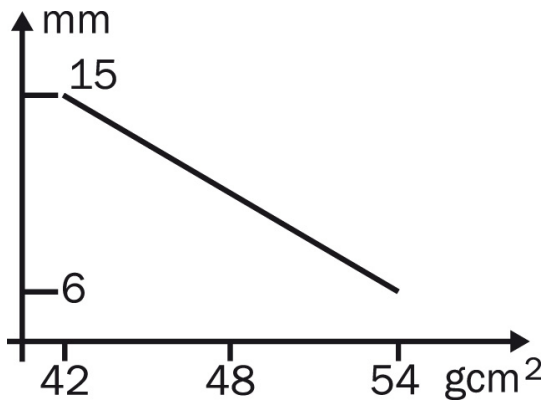
|                                |  |
|--------------------------------|--|
| EMC:                           | (according to EN 61000-6-2 and EN 61000-6-3) <sup>1)</sup> |
| Enclosure rating:              | IP 66 (according to IEC 60529)                             |
| Permissible relative humidity: | 90 % (condensation of the optical scanning not permitted)  |
| Working temperature range:     | -20 °C ... 85 °C   |
| Storage temperature range:     | -40 °C ... 100 °C  |
| Resistance to shocks:          | 50 g (according to EN 60068-2-27)                          |
| Resistance to vibration:       | 20 g, 10 Hz ... 2,000 Hz (according to EN 60068-2-6)       |

<sup>1)</sup>

**Dimensional drawing**



**Drehzahlbetrachtung**



**Australia**

Phone +61 3 9457 0600  
1800 334 802 – tollfree  
E-Mail sales@sick.com.au

**Belgium/Luxembourg**

Phone +32 (0)2 466 55 66  
E-Mail info@sick.be

**Brasil**

Phone +55 11 3215-4900  
E-Mail sac@sick.com.br

**Canada**

Phone +1 905 771 14 44  
E-Mail information@sick.com

**Ceská Republika**

Phone +420 2 57 91 18 50  
E-Mail sick@sick.cz

**China**

Phone +86 4000 121 000  
E-Mail info.china@sick.net.cn  
Phone +852-2153 6300  
E-Mail ghk@sick.com.hk

**Danmark**

Phone +45 45 82 64 00  
E-Mail sick@sick.dk

**Deutschland**

Phone +49 211 5301-301  
E-Mail kundenservice@sick.de

**España**

Phone +34 93 480 31 00  
E-Mail info@sick.es

**France**

Phone +33 1 64 62 35 00  
E-Mail info@sick.fr

**Great Britain**

Phone +44 (0)1727 831121  
E-Mail info@sick.co.uk

**India**

Phone +91-22-4033 8333  
E-Mail info@sick-india.com

**Israel**

Phone +972-4-6801000  
E-Mail info@sick-sensors.com

**Italia**

Phone +39 02 27 43 41  
E-Mail info@sick.it

**Japan**

Phone +81 (0)3 3358 1341  
E-Mail support@sick.jp

**Magyarország**

Phone +36 1 371 2680  
E-Mail office@sick.hu

**Nederlands**

Phone +31 (0)30 229 25 44  
E-Mail info@sick.nl

**Norge**

Phone +47 67 81 50 00  
E-Mail austefjord@sick.no

**Österreich**

Phone +43 (0)22 36 62 28 8-0  
E-Mail office@sick.at

**Polska**

Phone +48 22 837 40 50  
E-Mail info@sick.pl

**România**

Phone +40 356 171 120  
E-Mail office@sick.ro

**Russia**

Phone +7-495-775-05-30  
E-Mail info@sick.ru

**Schweiz**

Phone +41 41 619 29 39  
E-Mail contact@sick.ch

**Singapore**

Phone +65 6744 3732  
E-Mail admin@sicksgp.com.sg

**Slovenija**

Phone +386 (0)1-47 69 990  
E-Mail office@sick.si

**South Africa**

Phone +27 11 472 3733  
E-Mail info@sickautomation.co.za

**South Korea**

Phone +82 2 786 6321/4  
E-Mail info@sickkorea.net

**Suomi**

Phone +358-9-25 15 800  
E-Mail sick@sick.fi

**Sverige**

Phone +46 10 110 10 00  
E-Mail info@sick.se

**Taiwan**

Phone +886-2-2375-6288  
E-Mail sales@sick.com.tw

**Türkiye**

Phone +90 (216) 528 50 00  
E-Mail info@sick.com.tr

**United Arab Emirates**

Phone +971 (0) 4 8865 878  
E-Mail info@sick.ae

**USA/México**

Phone +1(952) 941-6780  
1 800-325-7425 – tollfree  
E-Mail info@sickusa.com

More representatives and agencies  
at [www.sick.com](http://www.sick.com)