



Absolute encoders AFS/AFM60 EtherNet/IP

AFM60A-BEIB Sales Kit 04



Model Name > [AFM60A-BEIB Sales Kit 04](#)
Part No. > [1057755](#)



Illustration may differ

This kit includes the following items:

Model Name	Part No.
> AFM60A-BEIB018X12	> 1055326
> DOL-1204-W05MC	> 6025904
> STL-1204-W05ME90	> 6047913

At a glance

- High-resolution, 30-bit absolute encoder (18 bit singleturn and 12 bit multiturn)
- Device Level Ring (DLR functionality)
- Extensive diagnostics: Min/max values for temperature, position, speed.
Operating hours counter, display of flags, alarms and warnings using e.g. a fault header (32 bit)
- Status display via 5 duo LEDs
- Rotary axis function
- IP address via DHCP / DEC switches
- Ethernet/IP interface (extended profile 0x22)
- Function block

Your benefits

- DLR functionality for reliability with simple maintenance and a simple adaptation to existing network topologies
- Lower installation costs due to fewer external switches
- High level of productivity thanks to superior diagnostics with 32-bit fault header, fast communication and high level of redundancy
- Optimal machine availability thanks to early warning and fault detection system
- Simple setting for various applications thanks to rotary axis function
- Simple installation due to user-friendly on-board configuration assembly
- Industrial-application design for use in particularly cramped space conditions



Mechanical data

Mechanical interface:	Blind hollow shaft
Shaft diameter:	12 mm

Electrical data

MTTFd: mean time to dangerous failure:	80 a (EN ISO 13849-1) ¹⁾
--	-------------------------------------

¹⁾ This product is a standard product and does not constitute a safety component as defined in the Machinery Directive.

Calculation based on nominal load of components, average ambient

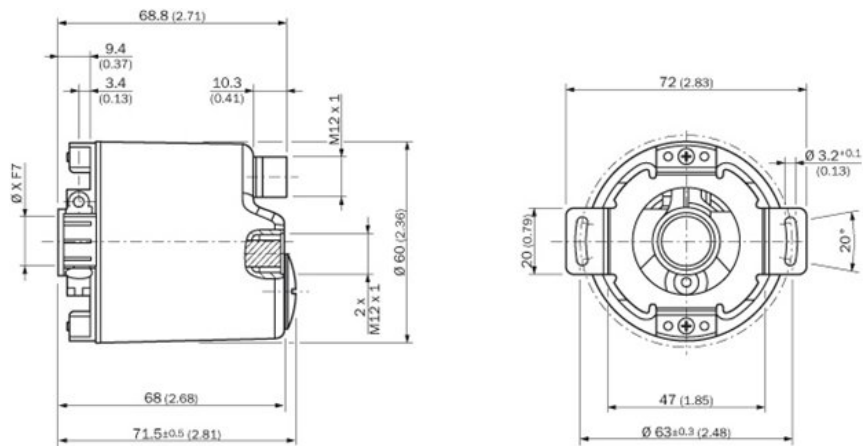
temperature 40°C, frequency of use 8760 h/a. All

electronic failures are considered hazardous. For more information, see document no. 8015532.

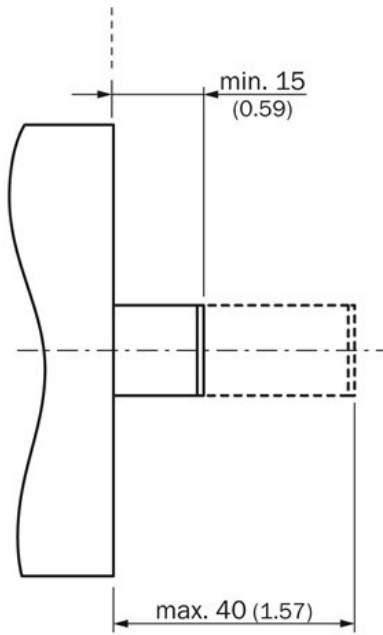
Interfaces

DLR (Device Level Ring):	0
Endless operating functionality:	0

Dimensional drawing



Proposed fitting



All dimensions in mm (inch)

PIN assignment

M12 - 4 x D coding

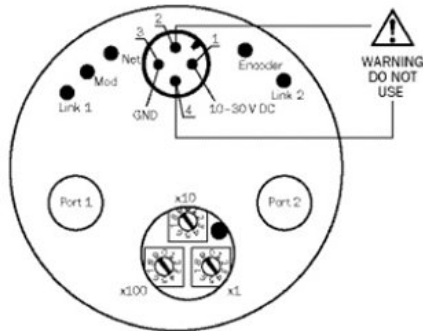


Port 1

Signal	T x D+	R x D+	T x D-	R x D-
Pin	1	2	3	4

Port 2

Signal	T x D+	R x D+	T x D-	R x D-
Pin	1	2	3	4



M12 - 4 x A coding



Power supply

Signal	10 ... 30 V	Not connected	GND	Not connected
Pin	1	2	3	4

Australia

Phone +61 3 9457 0600
1800 334 802 – tollfree
E-Mail sales@sick.com.au

Belgium/Luxembourg

Phone +32 (0)2 466 55 66
E-Mail info@sick.be

Brasil

Phone +55 11 3215-4900
E-Mail sac@sick.com.br

Canada

Phone +1 905 771 14 44
E-Mail information@sick.com

Ceská Republika

Phone +420 2 57 91 18 50
E-Mail sick@sick.cz

China

Phone +86 4000 121 000
E-Mail info.china@sick.net.cn
Phone +852-2153 6300
E-Mail ghk@sick.com.hk

Danmark

Phone +45 45 82 64 00
E-Mail sick@sick.dk

Deutschland

Phone +49 211 5301-301
E-Mail kundenservice@sick.de

España

Phone +34 93 480 31 00
E-Mail info@sick.es

France

Phone +33 1 64 62 35 00
E-Mail info@sick.fr

Great Britain

Phone +44 (0)1727 831121
E-Mail info@sick.co.uk

India

Phone +91-22-4033 8333
E-Mail info@sick-india.com

Israel

Phone +972-4-6801000
E-Mail info@sick-sensors.com

Italia

Phone +39 02 27 43 41
E-Mail info@sick.it

Japan

Phone +81 (0)3 3358 1341
E-Mail support@sick.jp

Magyarország

Phone +36 1 371 2680
E-Mail office@sick.hu

Nederlands

Phone +31 (0)30 229 25 44
E-Mail info@sick.nl

Norge

Phone +47 67 81 50 00
E-Mail austefjord@sick.no

Österreich

Phone +43 (0)22 36 62 28 8-0
E-Mail office@sick.at

Polska

Phone +48 22 837 40 50
E-Mail info@sick.pl

România

Phone +40 356 171 120
E-Mail office@sick.ro

Russia

Phone +7-495-775-05-30
E-Mail info@sick.ru

Schweiz

Phone +41 41 619 29 39
E-Mail contact@sick.ch

Singapore

Phone +65 6744 3732
E-Mail admin@sicksgp.com.sg

Slovenija

Phone +386 (0)1-47 69 990
E-Mail office@sick.si

South Africa

Phone +27 11 472 3733
E-Mail info@sickautomation.co.za

South Korea

Phone +82 2 786 6321/4
E-Mail info@sickkorea.net

Suomi

Phone +358-9-25 15 800
E-Mail sick@sick.fi

Sverige

Phone +46 10 110 10 00
E-Mail info@sick.se

Taiwan

Phone +886-2-2375-6288
E-Mail sales@sick.com.tw

Türkiye

Phone +90 (216) 528 50 00
E-Mail info@sick.com.tr

United Arab Emirates

Phone +971 (0) 4 8865 878
E-Mail info@sick.ae

USA/México

Phone +1(952) 941-6780
1 800-325-7425 – tollfree
E-Mail info@sickusa.com

More representatives and agencies
at www.sick.com