



## Absolute encoders AFS/AFM60 EtherNet/IP

AFM60A-BHIB Sales Kit 04



**Model Name** > [AFM60A-BHIB Sales Kit 04](#)  
**Part No.** > [1057756](#)



*Illustration may differ*

**This kit includes the following items:**

| Model Name                          | Part No.                  |
|-------------------------------------|---------------------------|
| > <a href="#">AFM60A-BHIB018X12</a> | > <a href="#">1055328</a> |
| > <a href="#">DOL-1204-W05MC</a>    | > <a href="#">6025904</a> |
| > <a href="#">STL-1204-W05ME90</a>  | > <a href="#">6047913</a> |

**At a glance**

- High-resolution, 30-bit absolute encoder (18 bit singleturn and 12 bit multiturn)
- Device Level Ring (DLR functionality)
- Extensive diagnostics: Min/max values for temperature, position, speed.  
Operating hours counter, display of flags, alarms and warnings using e.g. a fault header (32 bit)
- Status display via 5 duo LEDs
- Rotary axis function
- IP address via DHCP / DEC switches
- Ethernet/IP interface (extended profile 0x22)
- Function block

**Your benefits**

- DLR functionality for reliability with simple maintenance and a simple adaptation to existing network topologies
- Lower installation costs due to fewer external switches
- High level of productivity thanks to superior diagnostics with 32-bit fault header, fast communication and high level of redundancy
- Optimal machine availability thanks to early warning and fault detection system
- Simple setting for various applications thanks to rotary axis function
- Simple installation due to user-friendly on-board configuration assembly
- Industrial-application design for use in particularly cramped space conditions



**Mechanical data**

|                       |                    |
|-----------------------|--------------------|
| Mechanical interface: | Blind hollow shaft |
| Shaft diameter:       | 15 mm              |

**Electrical data**

|  |                                     |
|--|-------------------------------------|
| MTTFd: mean time to dangerous failure: | 80 a (EN ISO 13849-1) <sup>1)</sup> |
|--|-------------------------------------|

<sup>1)</sup> This product is a standard product and does not constitute a safety component as defined in the Machinery Directive.

Calculation based on nominal load of components, average ambient

temperature 40°C, frequency of use 8760 h/a. All

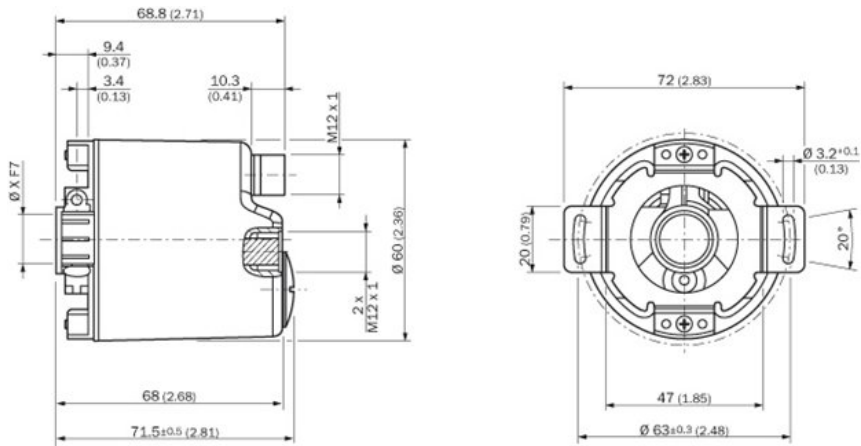
electronic failures are considered hazardous. For more information, see document no. 8015532.

### Interfaces

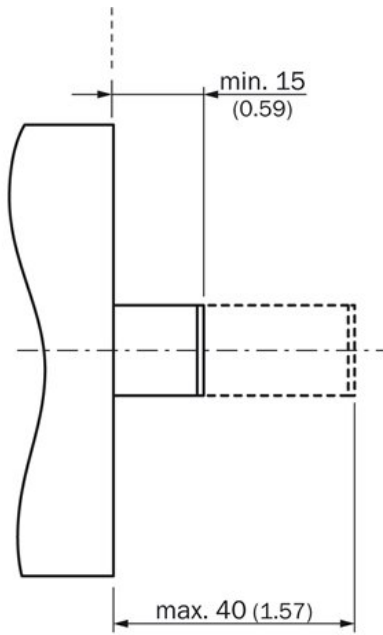
---

|                                  |   |
|----------------------------------|---|
| DLR (Device Level Ring):         | 0 |
| Endless operating functionality: | 0 |

### Dimensional drawing



## Proposed fitting



All dimensions in mm (inch)

## PIN assignment

### M12 - 4 x D coding

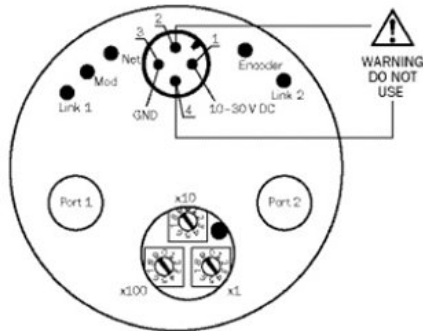


#### Port 1

| Signal | T x D+ | R x D+ | T x D- | R x D- |
|--------|--------|--------|--------|--------|
| Pin    | 1      | 2      | 3      | 4      |

#### Port 2

| Signal | T x D+ | R x D+ | T x D- | R x D- |
|--------|--------|--------|--------|--------|
| Pin    | 1      | 2      | 3      | 4      |



### M12 - 4 x A coding



#### Power supply

| Signal | 10 ... 30 V | Not connected | GND | Not connected |
|--------|-------------|---------------|-----|---------------|
| Pin    | 1           | 2             | 3   | 4             |

**Australia**

Phone +61 3 9457 0600  
1800 334 802 – tollfree  
E-Mail sales@sick.com.au

**Belgium/Luxembourg**

Phone +32 (0)2 466 55 66  
E-Mail info@sick.be

**Brasil**

Phone +55 11 3215-4900  
E-Mail sac@sick.com.br

**Canada**

Phone +1 905 771 14 44  
E-Mail information@sick.com

**Ceská Republika**

Phone +420 2 57 91 18 50  
E-Mail sick@sick.cz

**China**

Phone +86 4000 121 000  
E-Mail info.china@sick.net.cn  
Phone +852-2153 6300  
E-Mail ghk@sick.com.hk

**Danmark**

Phone +45 45 82 64 00  
E-Mail sick@sick.dk

**Deutschland**

Phone +49 211 5301-301  
E-Mail kundenservice@sick.de

**España**

Phone +34 93 480 31 00  
E-Mail info@sick.es

**France**

Phone +33 1 64 62 35 00  
E-Mail info@sick.fr

**Great Britain**

Phone +44 (0)1727 831121  
E-Mail info@sick.co.uk

**India**

Phone +91-22-4033 8333  
E-Mail info@sick-india.com

**Israel**

Phone +972-4-6801000  
E-Mail info@sick-sensors.com

**Italia**

Phone +39 02 27 43 41  
E-Mail info@sick.it

**Japan**

Phone +81 (0)3 3358 1341  
E-Mail support@sick.jp

**Magyarország**

Phone +36 1 371 2680  
E-Mail office@sick.hu

**Nederlands**

Phone +31 (0)30 229 25 44  
E-Mail info@sick.nl

**Norge**

Phone +47 67 81 50 00  
E-Mail austefjord@sick.no

**Österreich**

Phone +43 (0)22 36 62 28 8-0  
E-Mail office@sick.at

**Polska**

Phone +48 22 837 40 50  
E-Mail info@sick.pl

**România**

Phone +40 356 171 120  
E-Mail office@sick.ro

**Russia**

Phone +7-495-775-05-30  
E-Mail info@sick.ru

**Schweiz**

Phone +41 41 619 29 39  
E-Mail contact@sick.ch

**Singapore**

Phone +65 6744 3732  
E-Mail admin@sicksgp.com.sg

**Slovenija**

Phone +386 (0)1-47 69 990  
E-Mail office@sick.si

**South Africa**

Phone +27 11 472 3733  
E-Mail info@sickautomation.co.za

**South Korea**

Phone +82 2 786 6321/4  
E-Mail info@sickkorea.net

**Suomi**

Phone +358-9-25 15 800  
E-Mail sick@sick.fi

**Sverige**

Phone +46 10 110 10 00  
E-Mail info@sick.se

**Taiwan**

Phone +886-2-2375-6288  
E-Mail sales@sick.com.tw

**Türkiye**

Phone +90 (216) 528 50 00  
E-Mail info@sick.com.tr

**United Arab Emirates**

Phone +971 (0) 4 8865 878  
E-Mail info@sick.ae

**USA/México**

Phone +1(952) 941-6780  
1 800-325-7425 – tollfree  
E-Mail info@sickusa.com

More representatives and agencies  
at [www.sick.com](http://www.sick.com)