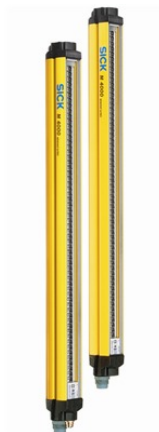




## Safety light curtains M4000 Advanced Curtain

M40E-70A503AB0, M40S-70A503AA0



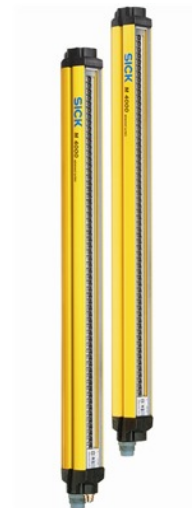
**Receiver**

Model Name > [M40E-70A503AB0](#)  
Part No. > [1203222](#)



**Sender**

Model Name > [M40S-70A503AA0](#)  
Part No. > [1203250](#)

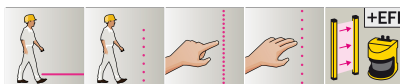


**At a glance**

- Type 4 (IEC 61496), PL e (EN ISO 13849)
- Robust housing with three mounting grooves
- 7-segment display
- Resolution 14/30 mm, scanning range up to 19 m
- External device monitoring (EDM), restart interlock (RES), application diagnostic output (ADO), and SDL interface
- Beam coding for correct system allocation
- Muting: on-site connection and processing in combination with the IP 65-rated UE403 switching amplifier
- Configuration and diagnostics via PC

**Your benefits**

- High resolution (14/30 mm) reduces the safety distances for access protection - both with and without muting
- The robust housing and high power reserve enable reliable use, even in harsh ambient conditions
- Mounting grooves on three housing sides ensure more flexibility in the installation and simplify machine integration
- User-friendly interfaces and status indicators facilitate commissioning and maintenance
- On-site connection of the muting signals on the UE403 switching amplifier minimizes the time spent laying cables and facilitates commissioning procedures and maintenance
- Reduced downtimes through all-around-visible LED and diagnostics displays as well as configuration memory in the UE403 switching amplifier



**Applications**

- |   |   |
|---|---|
| Hazardous area protection (horizontal): | ✓ |
| Access protection (vertical):           | ✓ |
| Access protection with muting:          | ✓ |

## Functions-Sender

---

System construction:	Sender/receiver system
Beam coding:	✓
Beam coding (delivery status):	Non-coded
Sender test:	✓
Sender test (delivery status):	deactivated
Integrated laser alignment aid:	-
SDL interface:	✓
Configuration method:	PC with CDS (Configuration and Diagnostic Software)
Safe device communication via EFI/SDL:	✓

## Functions-Receiver

---

System construction:	Sender/receiver system
Restart interlock:	✓
Restart interlock (delivery status):	Deactivated
External device monitoring (EDM):	✓
External device monitoring (delivery status):	Deactivated
Beam coding:	✓
Beam coding (delivery status):	Non-coded
Muting with:	UE403
Belt stop (with UE403):	✓
Concurrence monitoring (with UE403):	✓
Monitoring total muting time (with UE403):	✓
End of muting by ESPE (with UE403):	✓
Sensor gap monitoring (with UE403):	✓
Sensor test (with UE403):	✓
Partial blanking (with UE403):	✓
Exit monitoring (with UE403):	✓
Configurable application diagnostic output:	✓
Application diagnostic output (delivery status):	Contamination (OWS)
Configurable scanning range:	✓
Integrated laser alignment aid:	-
End cap with integrated LED:	-
Additional reset connection:	-
SDL interface:	✓
Configuration method:	PC with CDS (Configuration and Diagnostic Software)
Scanning range (delivery status):	2.5 m
Extension connection:	✓
Safe device communication via EFI/SDL:	✓
Reading mode:	✓
CDS data recorder:	✓
Event history:	✓

## Technical Data-Sender

---

Protective field height:	1,800 mm
Resolution:	14 mm
Housing cross-section:	52 mm x 55.5 mm
Type:	Type 4 (IEC 61496)
Safety integrity level:	SIL3 (IEC 61508), SILCL3 (IEC 62061)
Category:	category 4 (EN ISO 13849)

Performance level:	PL e (EN ISO 13849)
TM (mission time):	20 a
Supply voltage typical, from, to:	24 V, 19.2 V, 28.8 V
Power consumption:	≤ 0.2 A
System connection:	Hirschmann plug M26 x 11 + FE, straight (sender and receiver)
Display elements:	LED/7-segment
Protection class:	III (EN 50178:1998)
Enclosure rating:	IP 65 (EN 60529)
Ambient operating temperature from ... to:	-30 °C ... 55 °C
Vibration resistance (checked to):	5 g (IEC 60068-2-6)
Oscillation frequency from ... to:	10 Hz ... 55 Hz
Shock resistance:	10 g, 16 ms (IEC 60068-2-29)

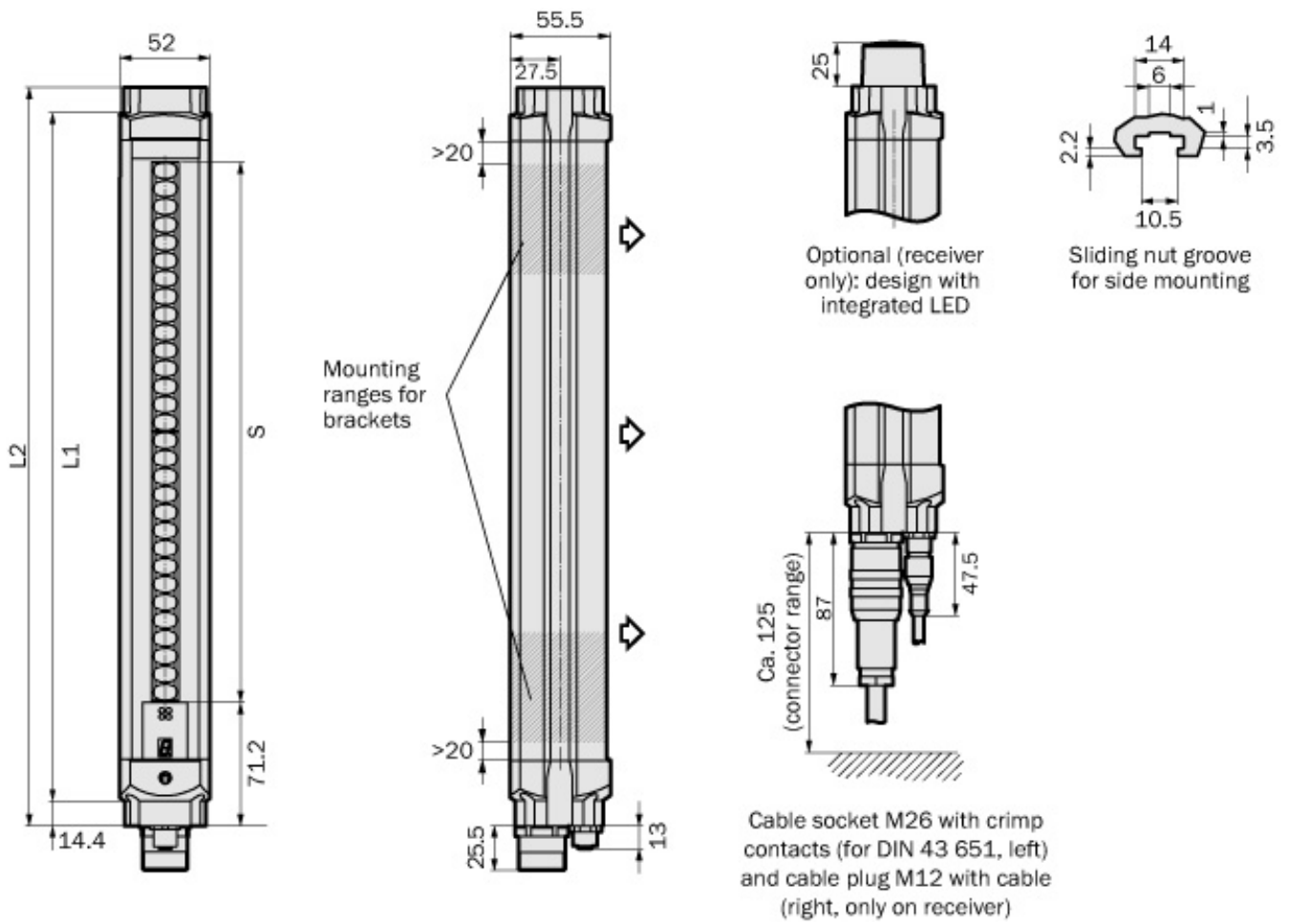
#### Technical Data-Receiver

---

Protective field height:	1,800 mm
Resolution:	14 mm
Scanning range from ... to:	0 m ... 8 m
Scanning range from ... to (delivery status):	0 m ... 2.5 m
Housing cross-section:	52 mm x 55.5 mm
Type:	Type 4 (IEC 61496)
Safety integrity level:	SIL3 (IEC 61508), SILCL3 (IEC 62061)
Category:	category 4 (EN ISO 13849)
Performance level:	PL e (EN ISO 13849)
TM (mission time):	20 a
Supply voltage typical, from, to:	24 V, 19.2 V, 28.8 V
Type of output:	Safety outputs (OSSD)
Power consumption:	≤ 0.6 A <sup>1)</sup>
Switching voltage typ, from, to:	UV - 2,25 V, 24 V DC, UV
Maximum switching current:	500 mA
Display elements:	LED/7-segment
System connection:	Hirschmann plug M26 x 11 + FE, straight (sender and receiver)
Connection type configuration connection:	M8 x 4
Protection class:	III (EN 50178:1998)
Enclosure rating:	IP 65 (EN 60529)
Ambient operating temperature from ... to:	-30 °C ... 55 °C
Vibration resistance (checked to):	5 g (IEC 60068-2-6)
Oscillation frequency from ... to:	10 Hz ... 55 Hz
Shock resistance:	10 g, 16 ms (IEC 60068-2-29)

<sup>1)</sup> Without load

**Dimensional drawing**



**Australia**

Phone +61 3 9457 0600  
1800 33 48 02 – tollfree  
E-Mail sales@sick.com.au

**Belgium/Luxembourg**

Phone +32 (0)2 466 55 66  
E-Mail info@sick.be

**Brasil**

Phone +55 11 3215-4900  
E-Mail marketing@sick.com.br

**Canada**

Phone +1 905 771 14 44  
E-Mail information@sick.com

**Česká republika**

Phone +420 2 57 91 18 50  
E-Mail sick@sick.cz

**China**

Phone +86 4000 121 000  
E-Mail info.china@sick.net.cn  
Phone +852-2153 6300  
E-Mail ghk@sick.com.hk

**Danmark**

Phone +45 45 82 64 00  
E-Mail sick@sick.dk

**Deutschland**

Phone +49 211 5301-301  
E-Mail info@sick.de

**España**

Phone +34 93 480 31 00  
E-Mail info@sick.es

**France**

Phone +33 1 64 62 35 00  
E-Mail info@sick.fr

**Great Britain**

Phone +44 (0)1727 831121  
E-Mail info@sick.co.uk

**India**

Phone +91-22-4033 8333  
E-Mail info@sick-india.com

**Israel**

Phone +972-4-6881000  
E-Mail info@sick-sensors.com

**Italia**

Phone +39 02 27 43 41  
E-Mail info@sick.it

**Japan**

Phone +81 (0)3 5309 2112  
E-Mail support@sick.jp

**Magyarország**

Phone +36 1 371 2680  
E-Mail office@sick.hu

**Nederland**

Phone +31 (0)30 229 25 44  
E-Mail info@sick.nl

**Norge**

Phone +47 67 81 50 00  
E-Mail sick@sick.no

**Österreich**

Phone +43 (0)22 36 62 28 8-0  
E-Mail office@sick.at

**Polska**

Phone +48 22 837 40 50  
E-Mail info@sick.pl

**România**

Phone +40 356 171 120  
E-Mail office@sick.ro

**Russia**

Phone +7-495-775-05-30  
E-Mail info@sick.ru

**Schweiz**

Phone +41 41 619 29 39  
E-Mail contact@sick.ch

**Singapore**

Phone +65 6744 3732  
E-Mail sales.gsg@sick.com

**Slovenija**

Phone +386 (0)1-47 69 990  
E-Mail office@sick.si

**South Africa**

Phone +27 11 472 3733  
E-Mail info@sickautomation.co.za

**South Korea**

Phone +82 2 786 6321/4  
E-Mail info@sickkorea.net

**Suomi**

Phone +358-9-25 15 800  
E-Mail sick@sick.fi

**Sverige**

Phone +46 10 110 10 00  
E-Mail info@sick.se

**Taiwan**

Phone +886 2 2375-6288  
E-Mail sales@sick.com.tw

**Türkiye**

Phone +90 (216) 528 50 00  
E-Mail info@sick.com.tr

**United Arab Emirates**

Phone +971 (0) 4 88 65 878  
E-Mail info@sick.ae

**USA/México**

Phone +1(952) 941-6780  
1 (800) 325-7425 – tollfree  
E-Mail info@sickusa.com

More representatives and agencies  
at [www.sick.com](http://www.sick.com)