



Safety light curtains
C4000 Standard without extension connection
with pre-configuration E

C40E-1202CE010, C40S-1202CA010



Safety light curtains
C4000 Standard without extension connection with pre-configuration E

receiver

Model Name > C40E-1202CE010
Part No. > 1022463



sender

Model Name > C40S-1202CA010
Part No. > 1018625



At a glance

- Type 4 (IEC 61496), PL e (EN ISO 13849)
- 7-segment display
- PSDI mode with the UE402 switching amplifier
- External device monitoring (EDM) and restart interlock (RES)
- Configuration and diagnostics via PC
- Cascade up to three systems
- ADO (Application Diagnostic Output) signaling output for contamination indicator
- Accessory Clone Plug - for configuration memory

Your benefits

- 7-segment display saves time during alignment and diagnostics
- Beam coding protects the systems against optical interference by ensuring a high level of availability
- Ability to cascade up to three systems optimizes the safety application and reduces wiring costs
- Preconfigured light curtains and the clone plug enables easy and rapid commissioning
- Precise, convenient configuration and diagnostics reduces downtime



Functions-Sender

| | |
|---|---|
| Beam coding: | ✓ |
| Reduced resolution: | - |
| Configuration method: | PC with CDS (Configuration and Diagnostic Software) |
| Extension connection: | - |
| PSDI mode with: | UE402 |
| Safe SICK device communication via EFI/SDL: | ✓ |

Functions-Receiver

| | |
|--|---|
| Restart interlock: | ✓ |
| Restart interlock (delivery status): | Internal |
| External device monitoring (EDM): | ✓ |
| External device monitoring (delivery status): | Selected |
| Beam coding: | ✓ |
| Beam coding (delivery status): | Non-coded |
| Reduced resolution: | - |
| Bypass (with UE402): | ✓ |
| Emergency stop/bypass at extension connection: | - |
| Operating mode switching (with UE402): | ✓ |
| PSDI mode with: | UE402 |
| Muting with: | Flexi Classic |
| Configuration method: | PC with CDS (Configuration and Diagnostic Software) |
| Extension connection: | - |
| Safe SICK device communication via EFI/SDL: | ✓ |

Technical Data-Sender

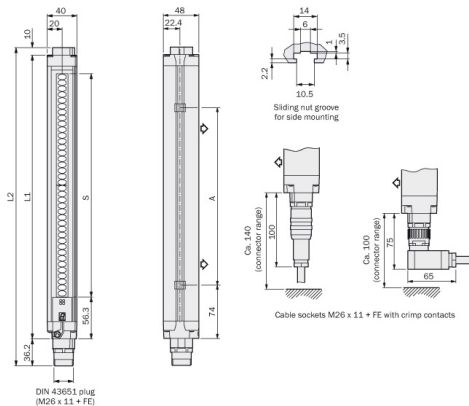
| | |
|---|---|
| Protective field height: | 1,200 mm |
| Resolution: | 20 mm |
| Housing length: | 1,329 mm |
| Housing cross-section: | 48 mm x 40 mm |
| Type: | Type 4 (IEC 61496) |
| Safety integrity level: | SIL3 (IEC 61508), SILCL3 (IEC 62061) |
| Category: | category 4 (EN ISO 13849) |
| Performance level: | PL e (EN ISO 13849) |
| PFHd: | 1.5 * 1E-08 |
| TM (mission time): | 20 a |
| Supply voltage typical, from, to: | 24 V DC, 19.2 V DC, 28.8 V DC |
| Connection type: | Hirschmann plug M26 x 11 + FE, straight |
| Connection type configuration connection: | M8 x 4 |
| Maximum connection cable cross-section: | 0.75 mm ² |
| Wave length: | 950 nm |
| Protection class: | III (EN 50178) |
| Enclosure rating: | IP 65 (EN 60529) |
| Ambient operating temperature: | 0 °C ... 55 °C |
| Vibration resistance (checked to): | 5 g (IEC 60068-2-6) |
| Oscillation frequency from ... to: | 10 Hz ... 55 Hz |
| Shock resistance: | 10 g, 16 ms (IEC 60068-2-29) |
| Weight: | 2,530 g |

Technical Data-Receiver

| | |
|---|--------------------------------------|
| Protective field height: | 1,200 mm |
| Resolution: | 20 mm |
| Scanning range from ... to: | 0 m ... 19 m |
| Scanning range from ... to (delivery status): | 0 m ... 6 m |
| Housing length: | 1,329 mm |
| Housing cross-section: | 48 mm x 40 mm |
| Type: | Type 4 (IEC 61496) |
| Safety integrity level: | SIL3 (IEC 61508), SILCL3 (IEC 62061) |

| | |
|---|---|
| Category: | category 4 (EN ISO 13849) |
| Performance level: | PL e (EN ISO 13849) |
| PFHd: | 1.5 * 1E-08 |
| TM (mission time): | 20 a |
| Supply voltage typical, from, to: | 24 V DC, 19.2 V DC, 28.8 V DC |
| Response time without beam coding: | ≤ 17 ms |
| Response time with beam coding: | ≤ 33 ms |
| Maximum switching current: | 500 mA |
| Wave length: | 950 nm |
| Connection type: | Hirschmann plug M26 x 11 + FE, straight |
| Connection type configuration connection: | M8 x 4 |
| Maximum connection cable cross-section: | 0.75 mm ² |
| Protection class: | III (EN 50178) |
| Enclosure rating: | IP 65 (EN 60529) |
| Ambient operating temperature: | 0 °C ... 55 °C |
| Vibration resistance (checked to): | 5 g (IEC 60068-2-6) |
| Oscillation frequency from ... to: | 10 Hz ... 55 Hz |
| Shock resistance: | 10 g, 16 ms (IEC 60068-2-29) |
| Weight: | 2,560 g |

Dimensional drawing



Australia

Phone +61 3 9457 0600
1800 33 48 02 – tollfree
E-Mail sales@sick.com.au

Belgium/Luxembourg

Phone +32 (0)2 466 55 66
E-Mail info@sick.be

Brasil

Phone +55 11 3215-4900
E-Mail marketing@sick.com.br

Canada

Phone +1 905 771 14 44
E-Mail information@sick.com

Česká republika

Phone +420 2 57 91 18 50
E-Mail sick@sick.cz

China

Phone +86 4000 121 000
E-Mail info.china@sick.net.cn
Phone +852-2153 6300
E-Mail ghk@sick.com.hk

Danmark

Phone +45 45 82 64 00
E-Mail sick@sick.dk

Deutschland

Phone +49 211 5301-301
E-Mail info@sick.de

España

Phone +34 93 480 31 00
E-Mail info@sick.es

France

Phone +33 1 64 62 35 00
E-Mail info@sick.fr

Great Britain

Phone +44 (0)1727 831121
E-Mail info@sick.co.uk

India

Phone +91-22-4033 8333
E-Mail info@sick-india.com

Israel

Phone +972-4-6881000
E-Mail info@sick-sensors.com

Italia

Phone +39 02 27 43 41
E-Mail info@sick.it

Japan

Phone +81 (0)3 5309 2112
E-Mail support@sick.jp

Magyarország

Phone +36 1 371 2680
E-Mail office@sick.hu

Nederland

Phone +31 (0)30 229 25 44
E-Mail info@sick.nl

Norge

Phone +47 67 81 50 00
E-Mail sick@sick.no

Österreich

Phone +43 (0)22 36 62 28 8-0
E-Mail office@sick.at

Polska

Phone +48 22 837 40 50
E-Mail info@sick.pl

România

Phone +40 356 171 120
E-Mail office@sick.ro

Russia

Phone +7-495-775-05-30
E-Mail info@sick.ru

Schweiz

Phone +41 41 619 29 39
E-Mail contact@sick.ch

Singapore

Phone +65 6744 3732
E-Mail sales.gsg@sick.com

Slovenija

Phone +386 (0)1-47 69 990
E-Mail office@sick.si

South Africa

Phone +27 11 472 3733
E-Mail info@sickautomation.co.za

South Korea

Phone +82 2 786 6321/4
E-Mail info@sickkorea.net

Suomi

Phone +358-9-25 15 800
E-Mail sick@sick.fi

Sverige

Phone +46 10 110 10 00
E-Mail info@sick.se

Taiwan

Phone +886 2 2375-6288
E-Mail sales@sick.com.tw

Türkiye

Phone +90 (216) 528 50 00
E-Mail info@sick.com.tr

United Arab Emirates

Phone +971 (0) 4 88 65 878
E-Mail info@sick.ae

USA/México

Phone +1(952) 941-6780
1 (800) 325-7425 – tollfree
E-Mail info@sickusa.com

More representatives and agencies
at www.sick.com