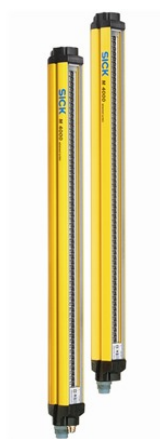




Safety light curtains M4000 Advanced Curtain

M40E-60A323RB0, M40S-60A303AA0



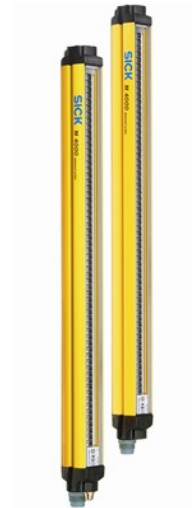
Receiver

Model Name > [M40E-60A323RB0](#)
Part No. > [1205630](#)



Sender

Model Name > [M40S-60A303AA0](#)
Part No. > [1201570](#)



At a glance

- Type 4 (IEC 61496), PL e (EN ISO 13849)
- Robust housing with three mounting grooves
- 7-segment display
- Resolution 14/30 mm, scanning range up to 19 m
- External device monitoring (EDM), restart interlock (RES), application diagnostic output (ADO), and SDL interface
- Beam coding for correct system allocation
- Muting: on-site connection and processing in combination with the IP 65-rated UE403 switching amplifier
- Configuration and diagnostics via PC

Your benefits

- High resolution (14/30 mm) reduces the safety distances for access protection - both with and without muting
- The robust housing and high power reserve enable reliable use, even in harsh ambient conditions
- Mounting grooves on three housing sides ensure more flexibility in the installation and simplify machine integration
- User-friendly interfaces and status indicators facilitate commissioning and maintenance
- On-site connection of the muting signals on the UE403 switching amplifier minimizes the time spent laying cables and facilitates commissioning procedures and maintenance
- Reduced downtimes through all-around-visible LED and diagnostics displays as well as configuration memory in the UE403 switching amplifier



Applications

- | | |
|---|---|
| Hazardous area protection (horizontal): | ✓ |
| Access protection (vertical): | ✓ |
| Access protection with muting: | ✓ |

Functions-Sender

System construction:	Sender/receiver system
Beam coding:	✓
Beam coding (delivery status):	Non-coded
Sender test:	✓
Sender test (delivery status):	deactivated
Integrated laser alignment aid:	-
SDL interface:	✓
Configuration method:	PC with CDS (Configuration and Diagnostic Software)
Safe device communication via EFI/SDL:	✓

Functions-Receiver

System construction:	Sender/receiver system
Restart interlock:	✓
Restart interlock (delivery status):	Activated
External device monitoring (EDM):	✓
External device monitoring (delivery status):	Activated
Beam coding:	✓
Beam coding (delivery status):	Non-coded
Muting with:	UE403
Belt stop (with UE403):	✓
Concurrence monitoring (with UE403):	✓
Monitoring total muting time (with UE403):	✓
End of muting by ESPE (with UE403):	✓
Sensor gap monitoring (with UE403):	✓
Sensor test (with UE403):	✓
Partial blanking (with UE403):	✓
Exit monitoring (with UE403):	✓
Configurable application diagnostic output:	✓
Application diagnostic output (delivery status):	Contamination (OWS)
Configurable scanning range:	✓
Integrated laser alignment aid:	-
End cap with integrated LED:	✓
Additional reset connection:	-
SDL interface:	✓
Configuration method:	PC with CDS (Configuration and Diagnostic Software)
Scanning range (delivery status):	6 m
Extension connection:	✓
Safe device communication via EFI/SDL:	✓
Reading mode:	✓
CDS data recorder:	✓
Event history:	✓

Technical Data-Sender

Protective field height:	300 mm
Resolution:	30 mm
Housing cross-section:	52 mm x 55.5 mm
Type:	Type 4 (IEC 61496)
Safety integrity level:	SIL3 (IEC 61508), SILCL3 (IEC 62061)
Category:	category 4 (EN ISO 13849)

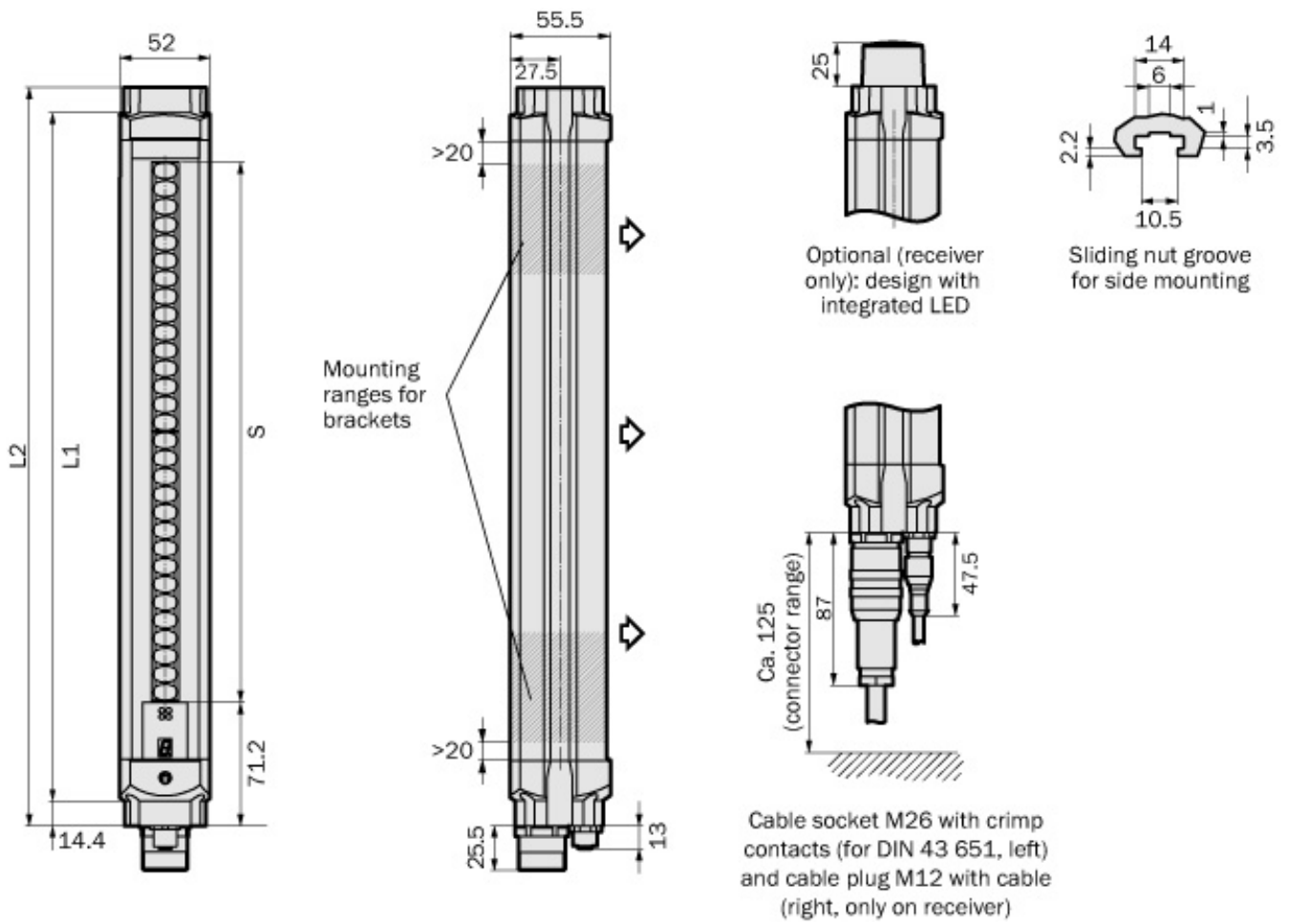
Performance level:	PL e (EN ISO 13849)
TM (mission time):	20 a
Supply voltage typical, from, to:	24 V, 19.2 V, 28.8 V
Power consumption:	≤ 0.2 A
System connection:	Hirschmann plug M26 x 11 + FE, straight (sender and receiver)
Display elements:	LED/7-segment
Protection class:	III (EN 50178:1998)
Enclosure rating:	IP 65 (EN 60529)
Ambient operating temperature from ... to:	-30 °C ... 55 °C
Vibration resistance (checked to):	5 g (IEC 60068-2-6)
Oscillation frequency from ... to:	10 Hz ... 55 Hz
Shock resistance:	10 g, 16 ms (IEC 60068-2-29)

Technical Data-Receiver

Protective field height:	300 mm
Resolution:	30 mm
Scanning range from ... to:	0 m ... 19 m
Scanning range from ... to (delivery status):	0 m ... 6 m
Housing cross-section:	52 mm x 55.5 mm
Type:	Type 4 (IEC 61496)
Safety integrity level:	SIL3 (IEC 61508), SILCL3 (IEC 62061)
Category:	category 4 (EN ISO 13849)
Performance level:	PL e (EN ISO 13849)
TM (mission time):	20 a
Supply voltage typical, from, to:	24 V, 19.2 V, 28.8 V
Type of output:	Safety outputs (OSSD)
Response time without beam coding:	≤ 10 ms
Response time with beam coding:	≤ 12 ms
Power consumption:	≤ 0.6 A ¹⁾
Switching voltage typ, from, to:	UV - 2,25 V, 24 V DC, UV
Maximum switching current:	500 mA
Display elements:	LED/7-segment
System connection:	Hirschmann plug M26 x 11 + FE, straight (sender and receiver)
Connection type configuration connection:	M8 x 4
Protection class:	III (EN 50178:1998)
Enclosure rating:	IP 65 (EN 60529)
Ambient operating temperature from ... to:	-30 °C ... 55 °C
Vibration resistance (checked to):	5 g (IEC 60068-2-6)
Oscillation frequency from ... to:	10 Hz ... 55 Hz
Shock resistance:	10 g, 16 ms (IEC 60068-2-29)

¹⁾ Without load

Dimensional drawing



Australia

Phone +61 3 9457 0600
1800 33 48 02 – tollfree
E-Mail sales@sick.com.au

Belgium/Luxembourg

Phone +32 (0)2 466 55 66
E-Mail info@sick.be

Brasil

Phone +55 11 3215-4900
E-Mail marketing@sick.com.br

Canada

Phone +1 905 771 14 44
E-Mail information@sick.com

Česká republika

Phone +420 2 57 91 18 50
E-Mail sick@sick.cz

China

Phone +86 4000 121 000
E-Mail info.china@sick.net.cn
Phone +852-2153 6300
E-Mail ghk@sick.com.hk

Danmark

Phone +45 45 82 64 00
E-Mail sick@sick.dk

Deutschland

Phone +49 211 5301-301
E-Mail info@sick.de

España

Phone +34 93 480 31 00
E-Mail info@sick.es

France

Phone +33 1 64 62 35 00
E-Mail info@sick.fr

Great Britain

Phone +44 (0)1727 831121
E-Mail info@sick.co.uk

India

Phone +91-22-4033 8333
E-Mail info@sick-india.com

Israel

Phone +972-4-6881000
E-Mail info@sick-sensors.com

Italia

Phone +39 02 27 43 41
E-Mail info@sick.it

Japan

Phone +81 (0)3 5309 2112
E-Mail support@sick.jp

Magyarország

Phone +36 1 371 2680
E-Mail office@sick.hu

Nederland

Phone +31 (0)30 229 25 44
E-Mail info@sick.nl

Norge

Phone +47 67 81 50 00
E-Mail sick@sick.no

Österreich

Phone +43 (0)22 36 62 28 8-0
E-Mail office@sick.at

Polska

Phone +48 22 837 40 50
E-Mail info@sick.pl

România

Phone +40 356 171 120
E-Mail office@sick.ro

Russia

Phone +7-495-775-05-30
E-Mail info@sick.ru

Schweiz

Phone +41 41 619 29 39
E-Mail contact@sick.ch

Singapore

Phone +65 6744 3732
E-Mail sales.gsg@sick.com

Slovenija

Phone +386 (0)1-47 69 990
E-Mail office@sick.si

South Africa

Phone +27 11 472 3733
E-Mail info@sickautomation.co.za

South Korea

Phone +82 2 786 6321/4
E-Mail info@sickkorea.net

Suomi

Phone +358-9-25 15 800
E-Mail sick@sick.fi

Sverige

Phone +46 10 110 10 00
E-Mail info@sick.se

Taiwan

Phone +886 2 2375-6288
E-Mail sales@sick.com.tw

Türkiye

Phone +90 (216) 528 50 00
E-Mail info@sick.com.tr

United Arab Emirates

Phone +971 (0) 4 88 65 878
E-Mail info@sick.ae

USA/México

Phone +1(952) 941-6780
1 (800) 325-7425 – tollfree
E-Mail info@sickusa.com

More representatives and agencies
at www.sick.com