



CONT. F. RAILW. A., AC-3, 5.5KW 400V,
DC 24V, 0.7...1.25*US,
W.SUPPRESSORDIODE INTEGRATED, 3-POLE,
SZ S00 SPRING-LOADED TERMINAL

General technical data:

product brand name		SIRIUS
Size of the contactor		S00
Product extension / auxiliary switch		Yes
Product extension / function module for communication		No
Protection class IP / on the front		IP20
Protection against electrical shock		finger-safe
Degree of pollution		3
Installation altitude / at a height over sea level / maximum	m	2,000
Ambient temperature		
• during storage	°C	-55 ... +80
• during operating	°C	-40 ... +70
• note		Railway application: -40 ... 70 °C with 10 mm clearance. See catalog for other rated conditions
Shock resistance		
• at rectangular impulse		
• at DC		7.3g / 5 ms, 4.7g / 10 ms
• at sine pulse		
• at DC		11.4g / 5 ms, 7.3g / 10 ms
Impulse voltage resistance / rated value	kV	6

Insulation voltage / rated value	V	690
Maximum permissible voltage for protective separation / between coil and main contacts / in accordance with EN 60947-1	V	400
Mechanical operating cycles as operating time		
• of the contactor / typical		30,000,000
• of the contactor with added auxiliary switch block / typical		10,000,000
• of the contactor with added electronics-compatible auxiliary switch block / typical		5,000,000
Main circuit:		
Number of NC contacts / for main contacts		0
Number of NO contacts / for main contacts		3
Operating current / at AC-1 / at 400 V		
• at 40 °C ambient temperature / rated value	A	22
• at 60 °C ambient temperature / rated value	A	20
Connectable conductor cross-section / in main circuit		
• at AC-1		
• at 40 °C / minimum permissible	m ²	4
• at 60 °C / minimum permissible	m ²	2.5
Operational current		
• at AC-2 / at 400 V / rated value	A	12
• at AC-3		
• at 400 V / rated value	A	12
• at 500 V / rated value	A	9.2
• at 690 V / rated value	A	6.7
• at AC-4 / at 400 V / rated value	A	8.5
Operational current		
• with 1 current path / at DC-1		
• at 24 V / rated value	A	20
• at 110 V / rated value	A	2.1
• at 220 V / rated value	A	0.8
• at 440 V / rated value	A	0.6
• at 600 V / rated value	A	0.6
• with 2 current paths in series / at DC-1		
• at 24 V / rated value	A	20
• at 110 V / rated value	A	12
• at 220 V / rated value	A	1.6
• at 440 V / rated value	A	0.8
• at 600 V / rated value	A	0.7
• with 3 current paths in series / at DC-1		
• at 24 V / rated value	A	20

• at 110 V / rated value	A	20
• at 220 V / rated value	A	20
• at 440 V / rated value	A	1.3
• at 600 V / rated value	A	1
Operational current		
• with 1 current path / at DC-3 / at DC-5		
• at 24 V / rated value	A	20
• at 110 V / rated value	A	0.1
• with 2 current paths in series / at DC-3 / at DC-5		
• at 24 V / rated value	A	20
• at 110 V / rated value	A	0.35
• with 3 current paths in series / at DC-3 / at DC-5		
• at 24 V / rated value	A	20
• at 110 V / rated value	A	20
• at 220 V / rated value	A	1.5
• at 440 V / rated value	A	0.2
• at 600 V / rated value	A	0.2
Service power		
• at AC-1		
• at 230 V / rated value	kW	7.5
• at 400 V / rated value	kW	13
• at 500 V / rated value	kW	17
• at 690 V / rated value	kW	22
• at AC-2 / at 400 V / rated value	kW	5.5
• at AC-3		
• at 230 V / rated value	kW	3
• at 400 V / rated value	kW	5.5
• at 690 V / rated value	kW	5.5
• at AC-4 / at 400 V / rated value	kW	4
Active power loss / at AC-3 / at 400 V / with rated operational current value / per conductor	W	1.2
Off-load operating frequency		
• at AC	1/h	10,000
• at DC	1/h	10,000
Frequency of operation		
• at AC-1 / according to IEC 60947-6-2	1/h	1,000
• at AC-2 / according to IEC 60947-6-2	1/h	750
• at AC-3 / according to IEC 60947-6-2	1/h	750
• at AC-4 / according to IEC 60947-6-2	1/h	250

Control circuit:		
Design of the surge suppressor		with suppressor diode
Type of voltage / of the controlled supply voltage		DC
Control supply voltage • for DC / rated value	V	24
operating range factor control supply voltage rated value / of the magnet coil • for DC		0.7 ... 1.25
Pull-in power / of the solenoid / for DC	W	12
Holding power / of the solenoid / for DC	W	2.8
Closing delay • at DC	ms	30 ... 100
Opening delay • at DC	ms	7 ... 13
Arcing time	ms	10 ... 15
Residual current / of electronics / for control with signal <0> • at 230 V / with AC / maximum permissible • at 24 V / with DC / maximum permissible	mA mA	4 10

Auxiliary circuit:		
Contact reliability / of the auxiliary contacts		1 faulty switching per 100 million (17 V, 1 mA)
Number of NC contacts / for auxiliary contacts / instantaneous switching		0
Number of NO contacts / for auxiliary contacts / instantaneous switching		0
Operating current / of the auxiliary contacts • [nicht versorgt: PMD_ABP551_001_000] • • at 690 V	A A	2 1

UL/CSA ratings:		
yielded mechanical performance (hp) • for single-phase squirrel cage motors • at 110/120 V / rated value • at 230 V / rated value • for three-phase squirrel cage motors • at 200/208 V / rated value • at 220/230 V / rated value • at 460/480 V / rated value • at 575/600 V / rated value	hp hp hp hp hp hp	0.5 2 3 3 7.5 10
Operating current (FLA) / for three-phase squirrel cage motors		

• at 480 V / rated value	A	11
• at 600 V / rated value	A	11
Contact rating designation / for auxiliary contacts / according to UL		A600 / Q600

Short-circuit:

Design of the fuse link		
<ul style="list-style-type: none"> • for short-circuit protection of the auxiliary switch / required • for short-circuit protection of the main circuit <ul style="list-style-type: none"> • with type of assignment 1 / required • at type of coordination 2 / required 		<p>fuse gL/gG: 10 A</p> <p>gL/gG LV HRC 3NA, DIAZED 5SB, NEOZED 5SE: 35 A</p> <p>gL/gG LV HRC 3NA, DIAZED 5SB, NEOZED 5SE: 20A</p>

Installation/mounting/dimensions:

mounting position		+/-180° rotation possible on vertical mounting surface; can be tilted forward and backward by +/- 22.5° on vertical mounting surface
Type of mounting		screw and snap-on mounting onto 35 mm standard mounting rail according to DIN EN 50022
Type of fixing/fixation / series installation		Yes
Width	mm	45
Height	mm	70
Depth	mm	121
Distance, to be maintained, to the ranks assembly / sideways	mm	0

Connections:

Design of the electrical connection		
<ul style="list-style-type: none"> • for main current circuit • for auxiliary and control current circuit 		<p>spring-loaded terminals</p> <p>spring-loaded terminals</p>
Type of the connectable conductor cross-section		
<ul style="list-style-type: none"> • for main contacts <ul style="list-style-type: none"> • solid • finely stranded <ul style="list-style-type: none"> • with conductor end processing • without conductor final cutting • for AWG conductors / for main contacts • for auxiliary contacts <ul style="list-style-type: none"> • solid • finely stranded <ul style="list-style-type: none"> • with conductor end processing • without conductor final cutting • for AWG conductors / for auxiliary contacts 		<p>2x (0.5 ... 4 mm²)</p> <p>2x (0.5 ... 2.5 mm²)</p> <p>2x (0.5 ... 2.5 mm²)</p> <p>2x (20 ... 12)</p> <p>2x (0.5 ... 4 mm²)</p> <p>2x (0.5 ... 2.5 mm²)</p> <p>2x (0.5 ... 2.5 mm²)</p> <p>2x (20 ... 12)</p>

Sicherheitsrelevante Kenngrößen:

B10 value / with high demand rate • according to SN 31920		1,000,000
T1 value / for proof test interval or service life • according to IEC 61508	a	20
Proportion of dangerous failures • with low demand rate / according to SN 31920 • with high demand rate / according to SN 31920	% %	40 73
Failure rate (FIT value) / with low demand rate • according to SN 31920	FIT	100
Product function • mirror contact to IEC 60947-4-1 • positively driven operation to IEC 60947-5-1		Yes No

Certificates/approvals:

General Product Approval



Functional Safety / Safety of Machinery

[Type Examination](#)

Declaration of Conformity



Test Certificates

[Special Test
Certificate](#)

[Type Test
Certificates/Test
Report](#)

Shipping Approval



Shipping Approval



other

[Confirmation](#)



Further information:

Information- and Downloadcenter (Catalogs, Brochures,...)

<http://www.siemens.com/industrial-controls/catalogs>

Industry Mall (Online ordering system)

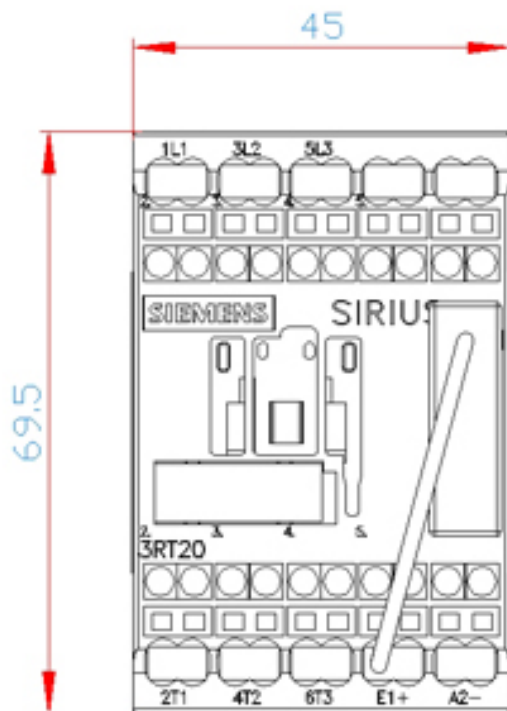
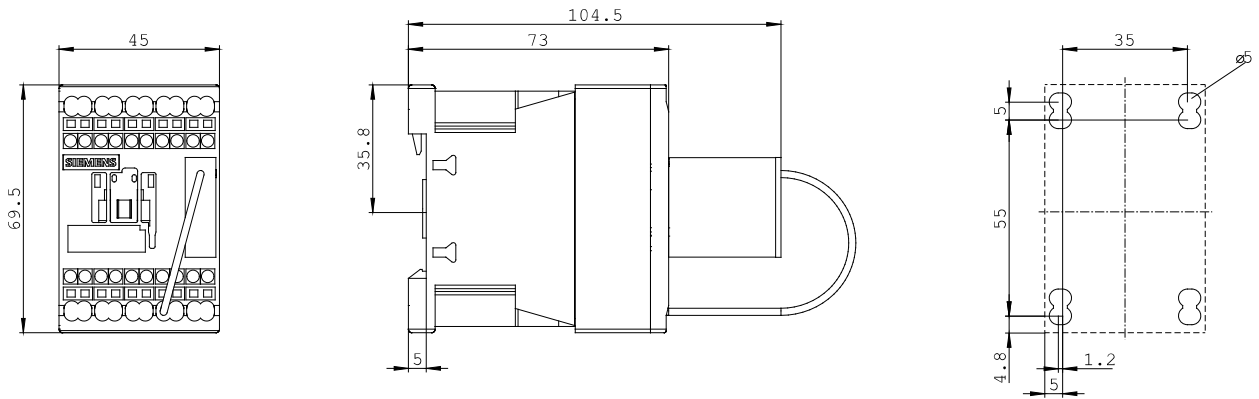
<http://www.siemens.com/industrial-controls/mall>

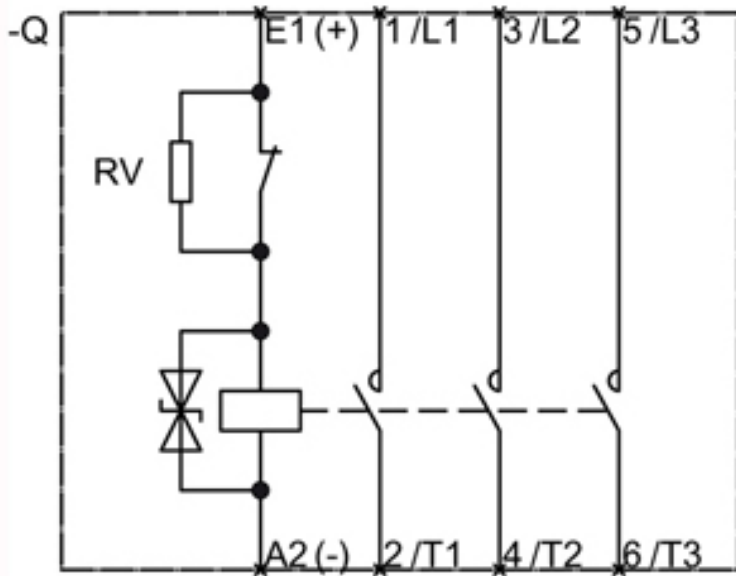
Cax online generator

<http://www.siemens.com/cax>

Service&Support (Manuals, Certificates, Characteristics, FAQs,...)

<http://support.automation.siemens.com/WW/view/en/3RT2017-2KB42-0LA0/all>





last change:

Feb 15, 2013