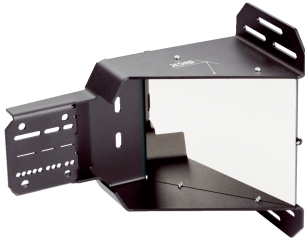


Lector deflector mirror

SICK
Sensor Intelligence.



Ordering information

Type	Part no.
Lector deflector mirror	2096970

Other models and accessories → www.sick.com/

Detailed technical data

Technical specifications

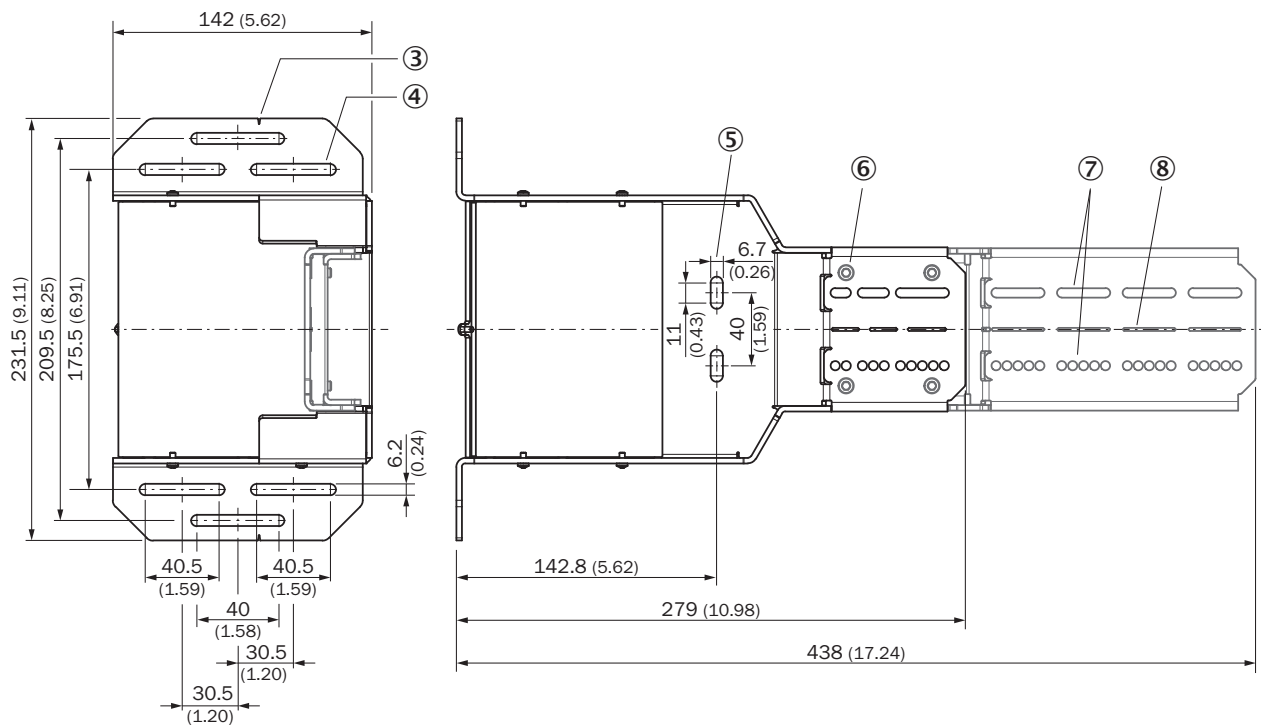
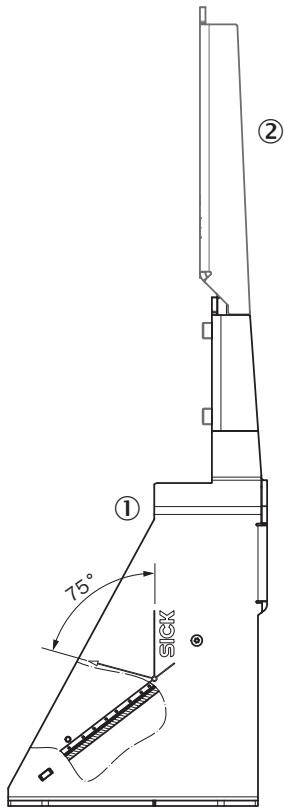
Accessory group	Deflector mirrors
Description	The deflector mirror for Lector63x is used whenever the installation space is insufficient to maintain sufficient working distance. The mirror deflects the light by approx. 90°. The deflector mirror is compatible with all Lector63x devices with S-mount and compact C-mount lenses with focal lengths of 9.6 mm, 12 mm and 16 mm and medium illumination.

Classifications

ECl@ss 5.0	27279207
ECl@ss 5.1.4	27279207
ECl@ss 6.0	27279207
ECl@ss 6.2	27279207
ECl@ss 7.0	27279207
ECl@ss 8.0	27279207
ECl@ss 8.1	27279207
ECl@ss 9.0	27273605
ECl@ss 10.0	27273605
ECl@ss 11.0	27273605
ETIM 5.0	EC002467
ETIM 6.0	EC002467
UNSPSC 16.0901	39111827

Dimensional drawing (Dimensions in mm (inch))

Lector deflector mirror

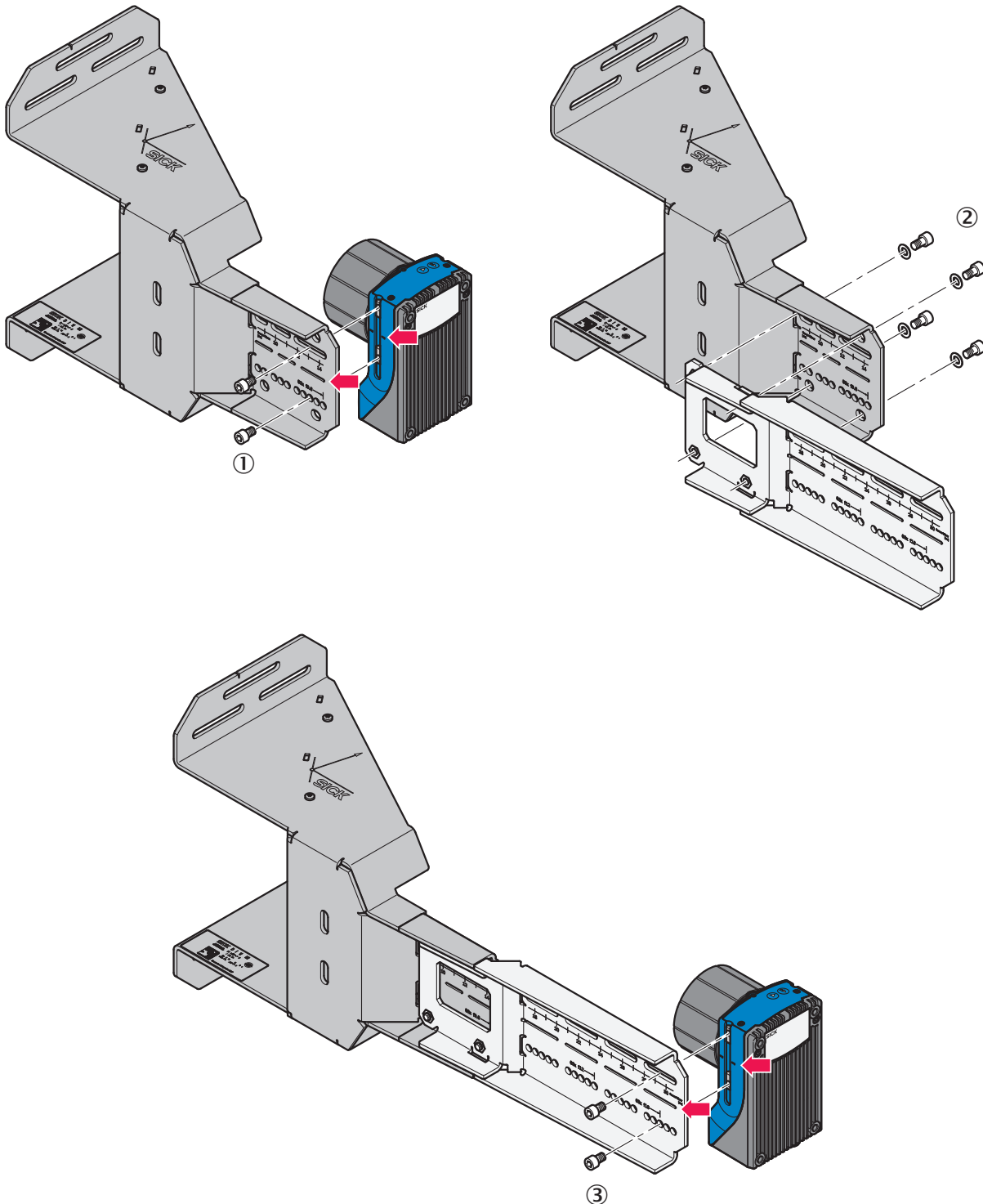


- ① Deflector mirrors
- ② Extension
- ③ Notch as measuring aid for determining the distance between mirror and object

- ④ Slotted holes for mounting the deflector mirror (top side)
- ⑤ Slotted holes for mounting the deflector mirror (back side)
- ⑥ Through hole for mounting the extension
- ⑦ Through holes and slotted holes for mounting Lector
- ⑧ Viewing slots for positioning Lector on the optical axis

Instruction for installation

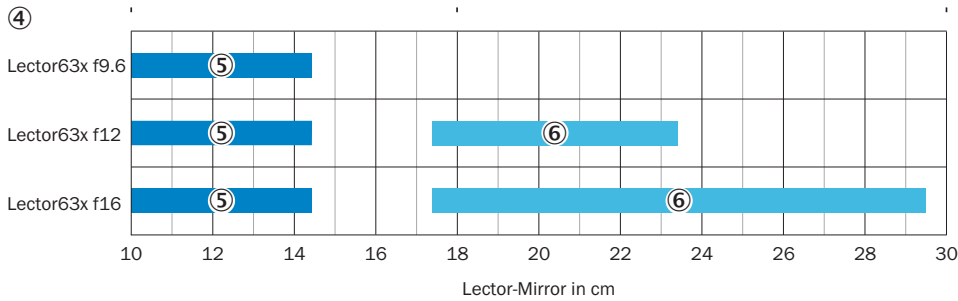
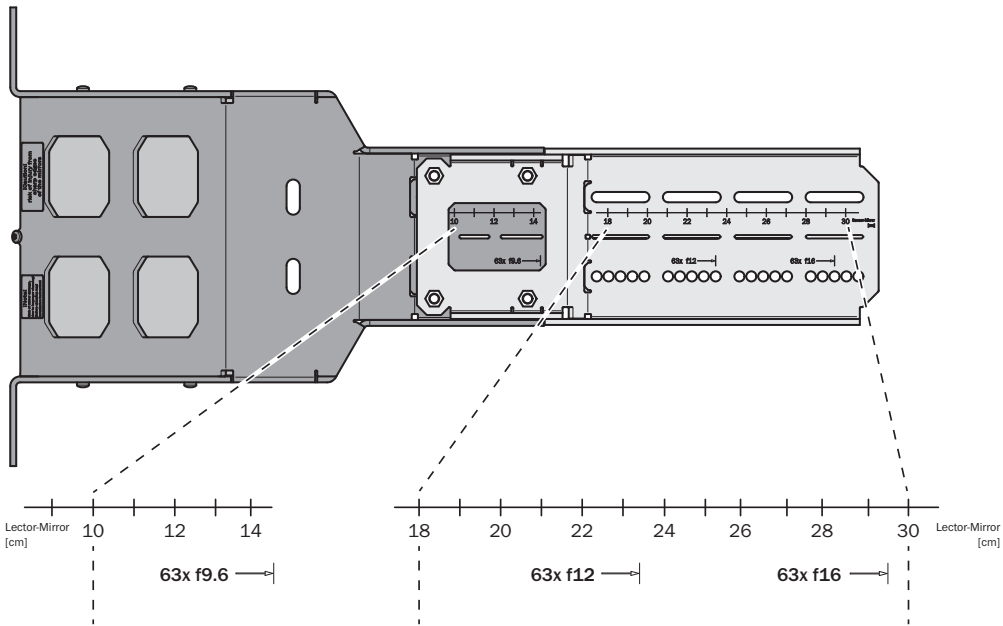
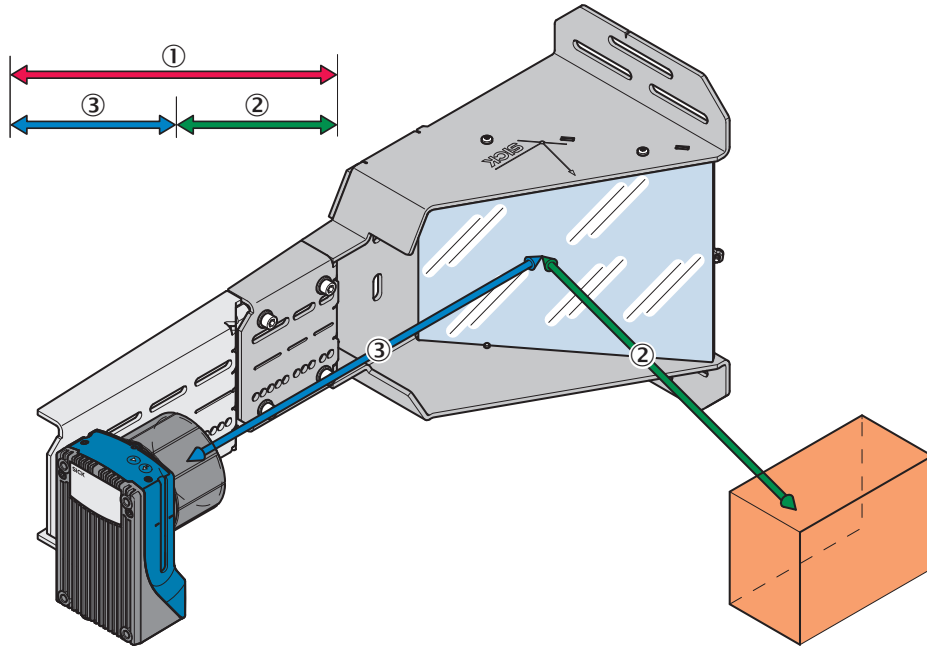
Lector deflector mirror



- ① Use without extension: screw Lector to the deflector mirror at the desired distance (see printed measuring scale), pay attention to the vertical alignment (narrow slotted hole and mark on Lector, see red arrows)
- ② Use with extension: screw extension to the deflector mirror (4x)
- ③ Screw Lector to the extension at the desired distance (see printed measuring scale), pay attention to the vertical alignment (narrow slotted hole and mark on Lector, see red arrows)

Lector deflector mirror

Determining the mounting position



- ① Determine the required working distance using the Lector view diagram depending on the application conditions
- ② Determine the required distance between object and mirror depending on the application conditions
- ③ Calculate the resulting distance between Lector and mirror
- ④ Decide using the diagram whether or not the extension is required
- ⑤ Attainable distances between Lector and mirror without extension

© Attainable distances between Lector and mirror with extension

SICK AT A GLANCE

SICK is one of the leading manufacturers of intelligent sensors and sensor solutions for industrial applications. A unique range of products and services creates the perfect basis for controlling processes securely and efficiently, protecting individuals from accidents and preventing damage to the environment.

We have extensive experience in a wide range of industries and understand their processes and requirements. With intelligent sensors, we can deliver exactly what our customers need. In application centers in Europe, Asia and North America, system solutions are tested and optimized in accordance with customer specifications. All this makes us a reliable supplier and development partner.

Comprehensive services complete our offering: SICK LifeTime Services provide support throughout the machine life cycle and ensure safety and productivity.

For us, that is “Sensor Intelligence.”

WORLDWIDE PRESENCE:

Contacts and other locations –www.sick.com