



TOGGLE SWITCH, 16MM, ROUND, PLASTIC, WHITE, 3 SWITCH POSITIONS I-O-II, MOMENTARY CONTACT, RETURN FROM LEFT AND RIGHT, ACTUATING ANGLE 2X50 DEGREES

Actuato/ signaling device:

Design of the product		Single device round
Design of the operating mechanism		selector switch
Functionality / of the actuator		Momentary contact type
Type of unlocking device		without
Color / of the activation element		White
Material / of the activation element		plastic
Number of switching positions		3
Actuating angle		
• clockwise	°	50
• anticlockwise	°	50
Product component / front ring		Yes
Material / of the front ring		plastic
Color / of the front ring		black
Design of the front ring		Standard
Product function / EMERGENCY STOP function		No

Holder:

Material / of the holder		Plastic
---------------------------------	--	---------

General technical details:

Resistance against shock / for devices without incandescent lamp / according to IEC 60068-2-27		<= 50g
Resistance against vibration / according to IEC 60068-2-6		20 ... 200 Hz: 5g
Operating cycles / maximum	1/h	1,000
Mechanical operating cycles as operating time / typical		300,000
Reference code <ul style="list-style-type: none"> • according to DIN EN 61346-2 • according to DIN 40719 extended according to IEC 204-2 / according to IEC 750 		S S
Tightening torque / of the screws in the bracket / maximum	N·m	0.4
Ambient temperature <ul style="list-style-type: none"> • during operating • during storage 	°C °C	-25 ... +70 -40 ... +80
Protection class IP		IP65
climatic class / during the operating phase / according to EN 60721		3K6
Mounting type		front mounting
Shape / of the installation hole		round
Installation width	mm	19
Mounting diameter	mm	16
Mounting height	mm	17
Mounting depth	mm	50

Certificates/ approvals:

General Product Approval

Declaration of
Conformity

Test Certificates



[Special Test Certificate](#)

other

[Confirmation](#)

[other](#)

[Environmental Confirmations](#)

Further information:

Information- and Downloadcenter (Catalogs, Brochures,...)

<http://www.siemens.com/industrial-controls/catalogs>

Industry Mall (Online ordering system)

<http://www.siemens.com/industrial-controls/mall>

Cax online generator

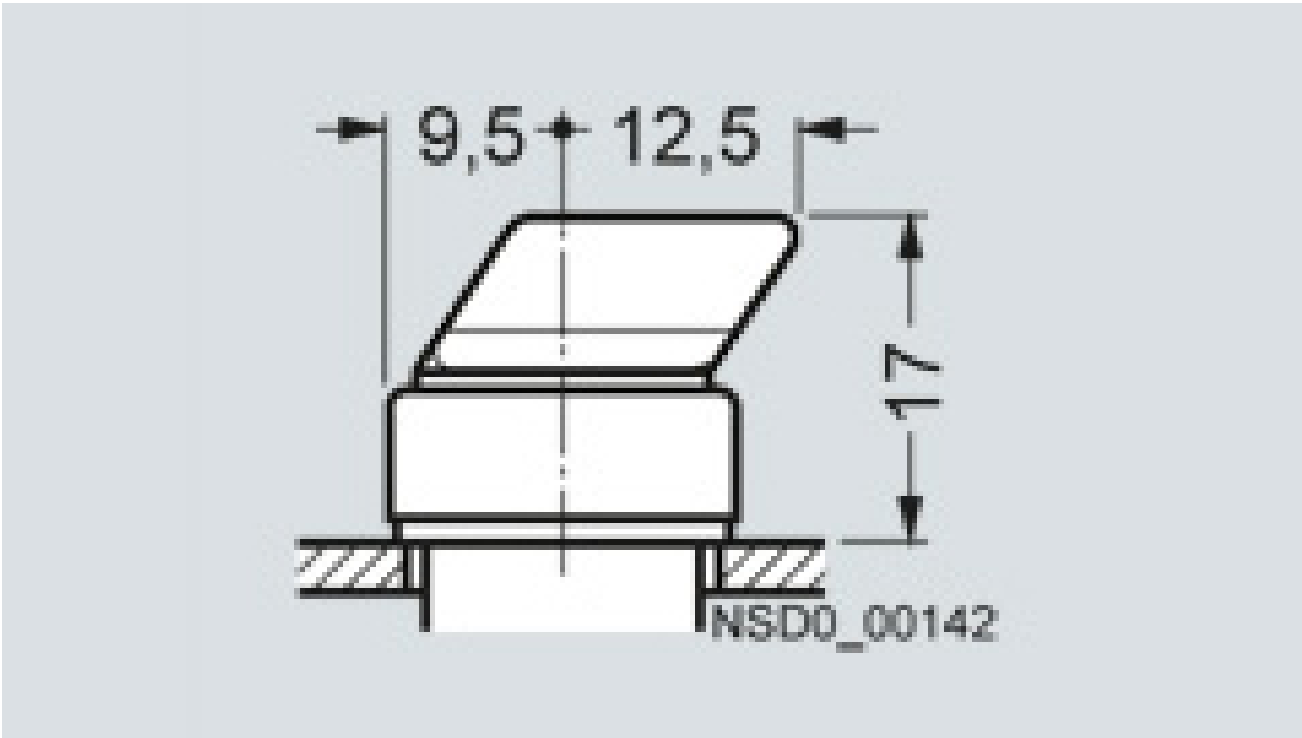
<http://www.siemens.com/cax>

Service&Support (Manuals, Certificates, Characteristics, FAQs,...)

<http://support.automation.siemens.com/WW/view/en/3SB2000-2EG01/all>

Image database (product images, 2D dimension drawings, 3D models, device circuit diagrams, ...)

http://www.automation.siemens.com/bilddb/cax_en.aspx?mlfb=3SB2000-2EG01



last change:

Jul 7, 2014