

22MM PLASTIC ROUND ACTUATOR: PUSHBUTTON  
W. RAISED FRONT RING,  
CASTELLA. WITH HOLDER RED

**Actuator:**

<b>Design of the product</b>		Single device round
<b>Design of the operating mechanism</b>		Pushbutton
<b>Functionality / of the actuator</b>		Momentary contact type
<b>Type of unlocking device</b>		without
<b>Color / of the activation element</b>		Red
<b>Material / of the activation element</b>		plastic
<b>Shape / of the activation element</b>		Flat pushbutton
<b>Number of switching positions</b>		2
<b>Product component / front ring</b>		Yes
<b>Material / of the front ring</b>		plastic
<b>Color / of the front ring</b>		black
<b>Design of the front ring</b>		High front ring with castellation, 13 mm
<b>Product function / EMERGENCY STOP function</b>		No

**Holder:**

<b>Material / of the holder</b>		Plastic
---------------------------------	--	---------

**General technical data:**

<b>Resistance against shock</b>		
---------------------------------	--	--

• for devices without incandescent lamp / according to IEC 60068-2-27		<= 50g
<b>Resistance against vibration / according to IEC 60068-2-6</b>		20 ... 200 Hz: 5g
<b>Operating cycles / maximum</b>	1/h	1,000
<b>Mechanical operating cycles as operating time / typical</b>		10,000,000
<b>Reference code</b>		S
• according to DIN EN 61346-2		S
• according to DIN 40719 extended according to IEC 204-2 / according to IEC 750		S
<b>Tightening torque / of the screws in the bracket / maximum</b>	N·m	1
<b>Ambient temperature</b>		
• during operating	°C	-25 ... +70
• during storage	°C	-40 ... +80
<b>Protection class IP</b>		IP66
<b>climatic class / during the operating phase / according to EN 60721</b>		3K6
<b>Mounting type</b>		front mounting
<b>Shape / of the installation hole</b>		round
<b>Installation width</b>	mm	28.5
<b>Mounting diameter</b>	mm	22
<b>Mounting height</b>	mm	13
<b>Mounting depth</b>	mm	29

#### Certificates/ approvals:

##### General Product Approval



[Special Test Certificate](#)

EG-Konf.

##### Shipping Approval



##### other

[Confirmation](#)

[other](#)

[Environmental Confirmations](#)

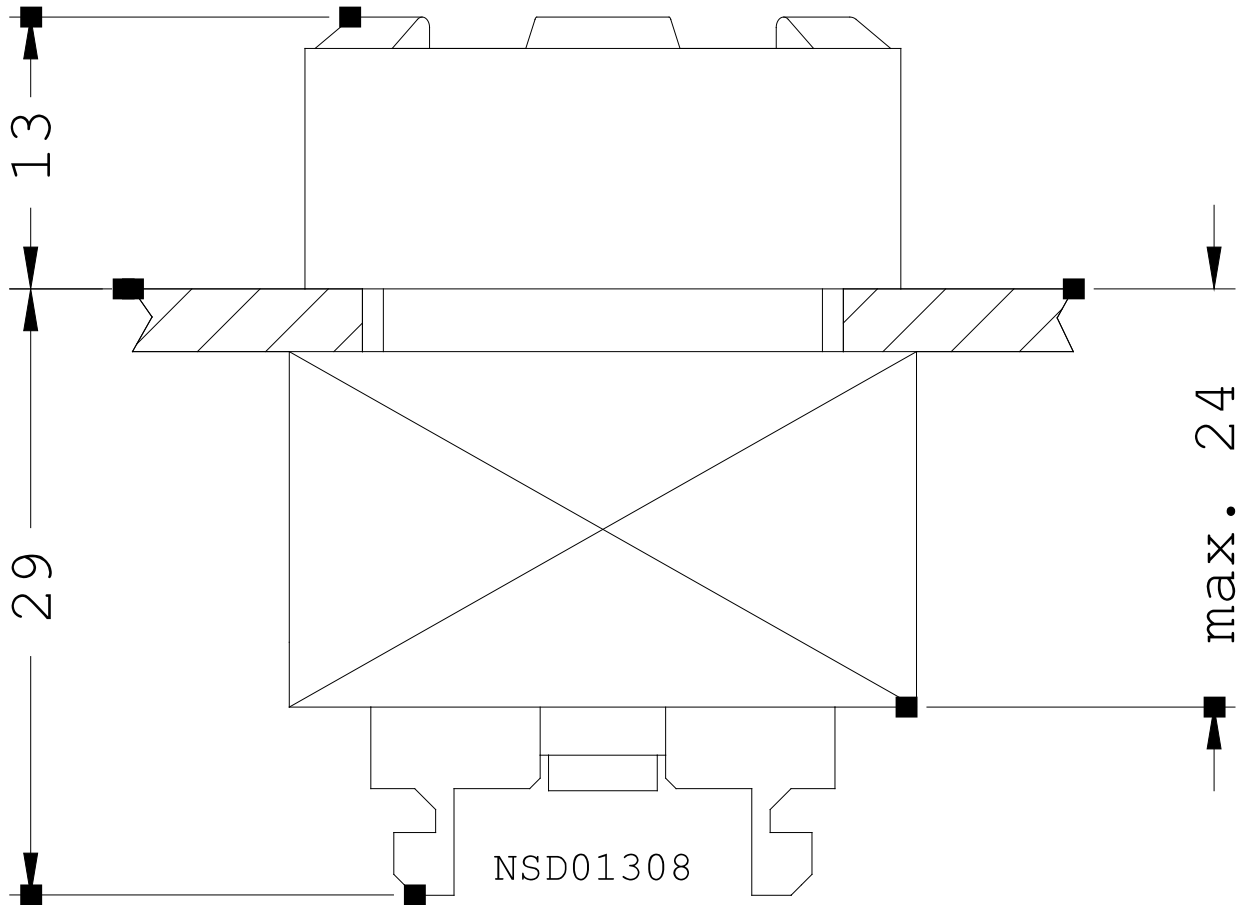
#### Further information:

##### Information- and Downloadcenter (Catalogs, Brochures,...)

<http://www.siemens.com/industrial-controls/catalogs>

##### Industry Mall (Online ordering system)

<http://www.siemens.com/industrial-controls/mall>



last change:

Jun 16, 2014