



22MM PLASTIC ROUND ACTUATOR: PUSH-PULL
BUTTON 30MM LATCHING W.PULL-TO-UNLOCK MECH.
WITH HOLDER BLACK

Actuator:	
Design of the product	Single device round
Design of the operating mechanism	Mushroom-shaped push-pull switch
Functionality / of the actuator	Latching
Type of unlocking device	pull-to-unlatch mechanism
Color / of the activation element	black
Material / of the activation element	plastic
Number of switching positions	2
Product component / front ring	Yes
Material / of the front ring	plastic
Color / of the front ring	black
Design of the front ring	Standard
Product function / EMERGENCY STOP function	No

Holder:	
Material / of the holder	Plastic

General technical data:	
Resistance against shock	
<ul style="list-style-type: none"> • for devices without incandescent lamp / according to IEC 60068-2-27 	<= 50g

Resistance against vibration / according to IEC 60068-2-6		20 ... 200 Hz: 5g
Operating cycles / maximum	1/h	1,000
Mechanical operating cycles as operating time / typical		300,000
Reference code		S
<ul style="list-style-type: none"> • according to DIN EN 61346-2 • according to DIN 40719 extended according to IEC 204-2 / according to IEC 750 		S
Tightening torque / of the screws in the bracket / maximum	N-m	1
Ambient temperature		
<ul style="list-style-type: none"> • during operating • during storage 	°C	-25 ... +70
	°C	-40 ... +80
Protection class IP		IP66
climatic class / during the operating phase / according to EN 60721		3K6
Mounting type		front mounting
Shape / of the installation hole		round
Installation width	mm	30
Mounting diameter	mm	22
Mounting height	mm	26.5
Mounting depth	mm	29

Certificates/ approvals:

General Product Approval



EG-Konf.

[Special Test Certificate](#)

Shipping Approval



LRS



PRS



RINA

other

[Confirmation](#)

[other](#)

[Environmental Confirmations](#)

Further information:

Information- and Downloadcenter (Catalogs, Brochures,...)

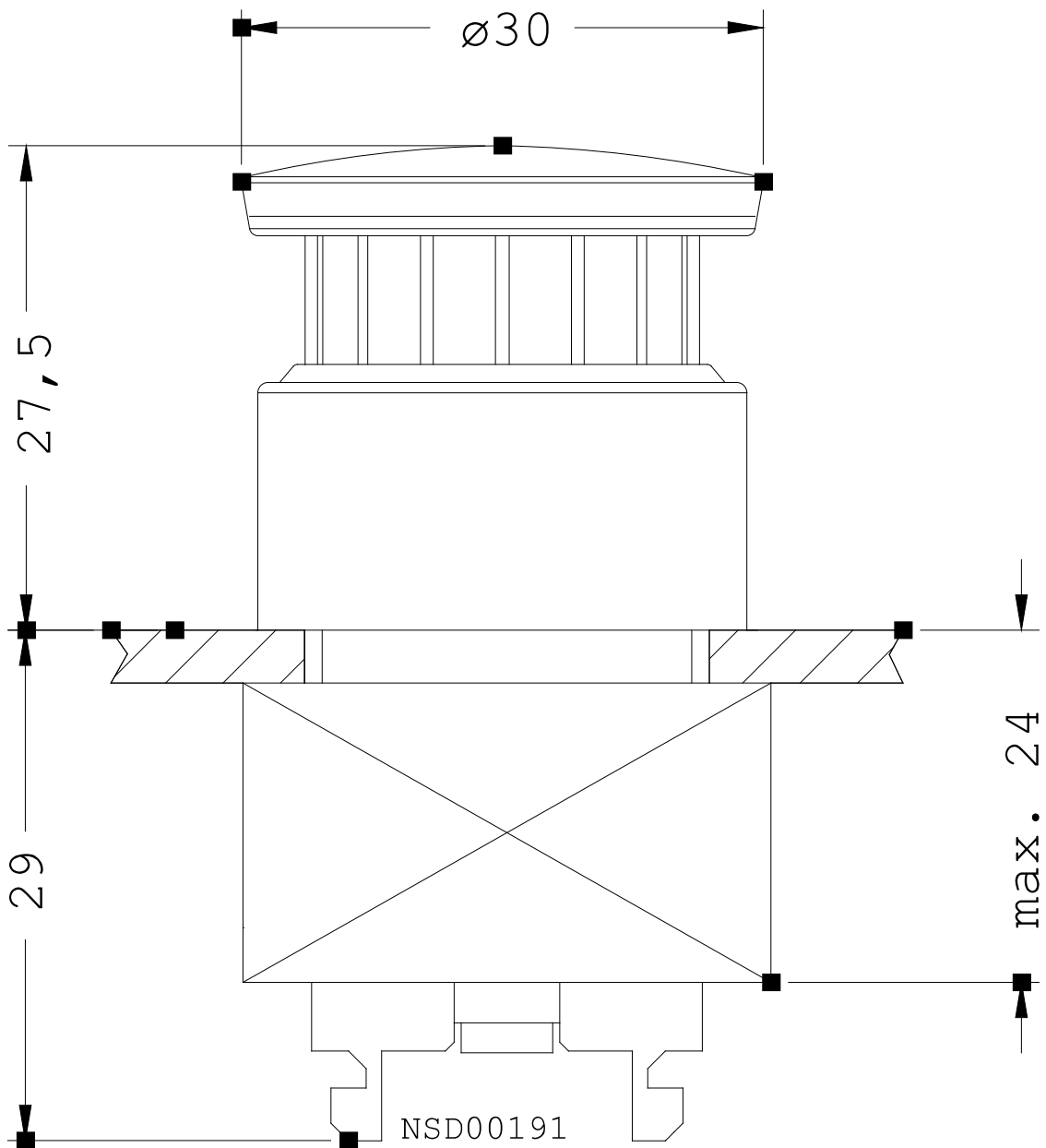
<http://www.siemens.com/industrial-controls/catalogs>

Industry Mall (Online ordering system)

<http://www.siemens.com/industrial-controls/mall>

Cax online generator

<http://www.siemens.com/cax>



last change:

Jun 16, 2014