

22MM PLASTIC ROUND ACTUATOR: SELECTOR SWITCH
3 SWITCH POSITIONS I-O-II LATCHING NON-ILLUMINATED WITH HOLDER WHITE

| Actuator / signaling device: | | |
|--------------------------------------------|---|-----------------------------|
| Design of the operating mechanism | | selector switch |
| Type of unlocking device | | rotate-to-unlatch mechanism |
| Material / of the activation element | | plastic |
| Number of switching positions | | 3 |
| Actuating angle | | |
| • clockwise | ° | 50 |
| • anticlockwise | ° | 50 |
| Product component / front ring | | Yes |
| Material / of the front ring | | plastic |
| Color / of the front ring | | black |
| Design of the front ring | | Standard |
| Product function / EMERGENCY STOP function | | No |

| Holder: | | |
|--------------------------|--|---------|
| Material / of the holder | | Plastic |

| General technical details: | | |
|----------------------------------------------------------------------------|-----|-------------------|
| Resistance against shock | | |
| • for devices without incandescent lamp / according to IEC 60068-2-27 | | <= 50g |
| Resistance against vibration / according to IEC 60068-2-6 | | 20 ... 200 Hz: 5g |
| Operating cycles / maximum | 1/h | 1,000 |
| Mechanical operating cycles as operating time / typical | | 300,000 |
| Item designation | | |
| • according to DIN EN 61346-2 | | S |
| • according to DIN 40719 extendable after IEC 204-2 / according to IEC 750 | | S |
| Tightening torque / of the screws in the bracket / maximum | N-m | 1 |
| Ambient temperature | | |
| • during operating | °C | -25 ... +70 |
| • during storage | °C | -40 ... +80 |
| Protection class IP | | IP66 |

| | | |
|---------------------------------------------------------------------|----|----------------|
| climatic class / during the operating phase / according to EN 60721 | | 3K6 |
| Type of mounting | | front mounting |
| Shape / of the installation hole | | round |
| Installation width | mm | 28.5 |
| Mounting diameter | mm | 22 |
| Mounting height | mm | 24 |
| Mounting depth | mm | 29 |

Certificates/approvals:

General Product Approval



Test Certificates

[Special Test Certificate](#)

Shipping Approval



other

[Confirmation](#)

[other](#)

[Environmental Confirmations](#)

Further information:

Information- and Downloadcenter (Catalogs, Brochures,...)

<http://www.siemens.com/industrial-controls/catalogs>

Industry Mall (Online ordering system)

<http://www.siemens.com/industrial-controls/mall>

Cax online generator:

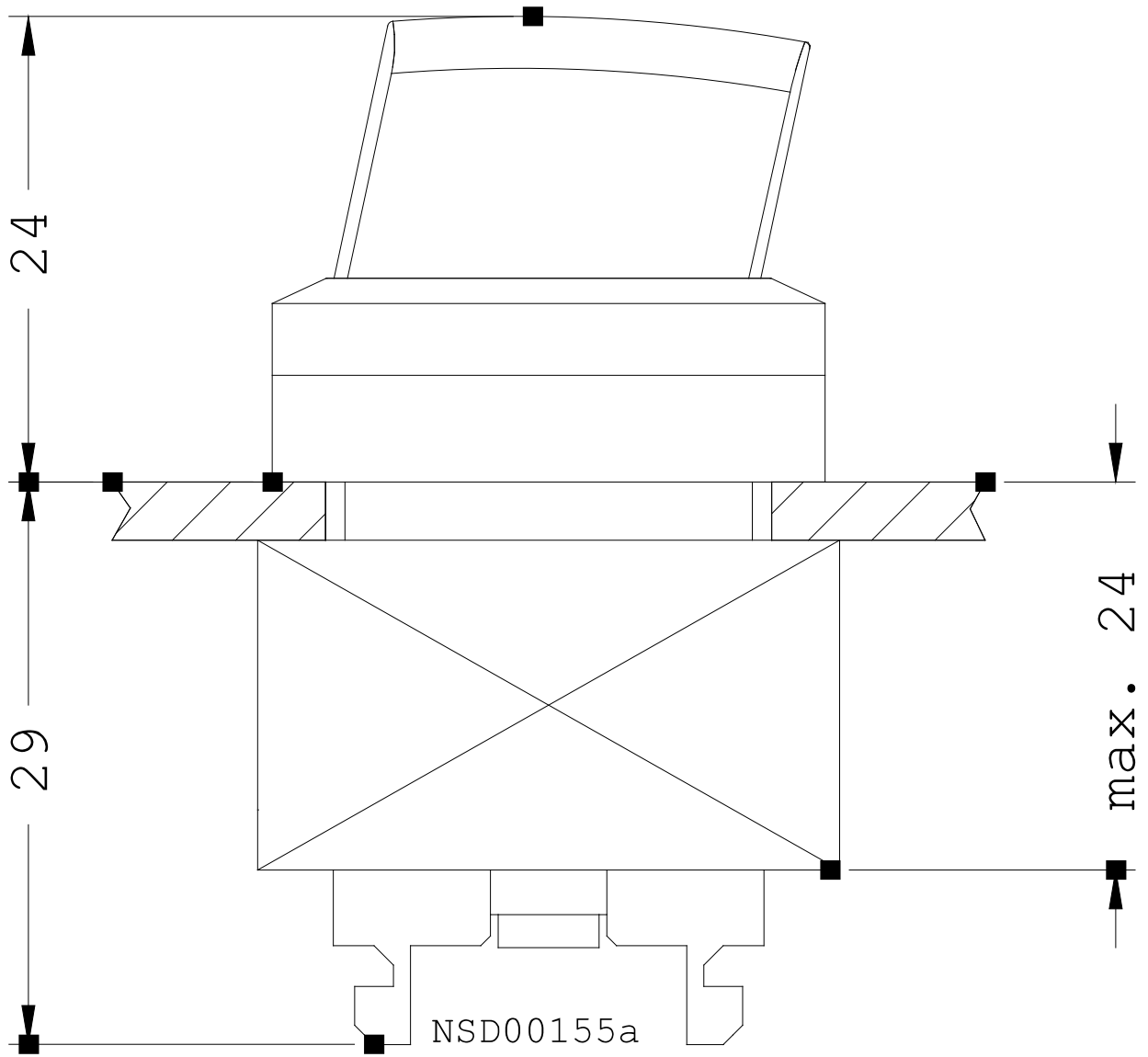
<http://www.siemens.com/cax>

Service&Support (Manuals, Certificates, Characteristics, FAQs,...)

<http://support.automation.siemens.com/WW/view/en/3SB3000-2DA61/all>

Image database (product images, 2D dimension drawings, 3D models, device circuit diagrams, ...)

http://www.automation.siemens.com/bilddb/cax_en.aspx?mlfb=3SB3000-2DA61



last change:

Jan 21, 2013